

Linear slide cylinder LCR Series

LINEAR SLIDE CYLINDER LCR SERIES



LCR:Renewal Series

Linear slide cylinder

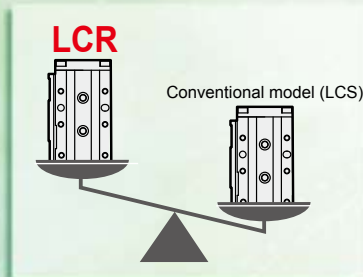


The Height of "Light" LCR :Reduce Weight

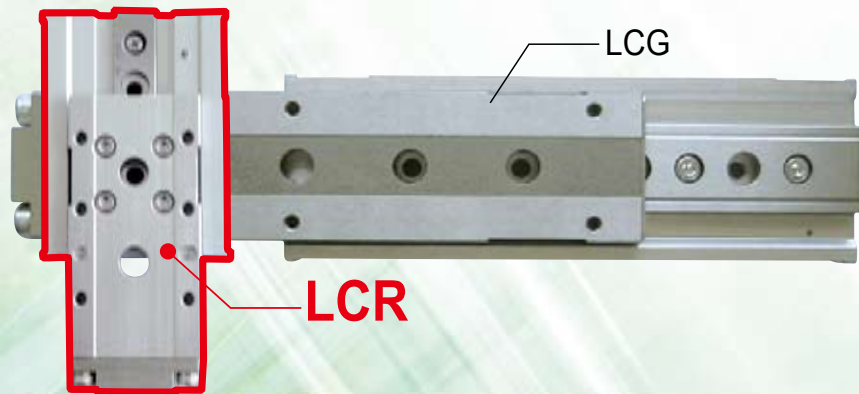
Up to 10% lighter!!!

Compared to conventional models.

- Weight has been reduced up to 10%



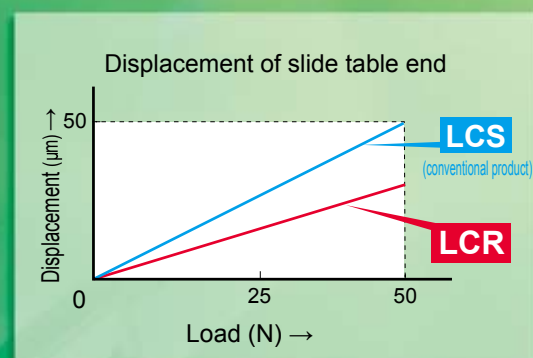
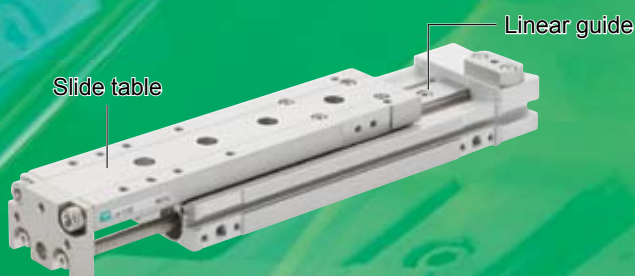
- Applications
Ideal for use on Z axis.



Contributes to downsizing, shorter tact time and saving energy by reducing the weight of moving parts.

Refined Rigidity LCR :Rigidity

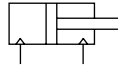
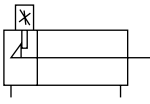

Increased rigidity from conventional model (LCS) with strengthened slide table and linear guide.



Series variation



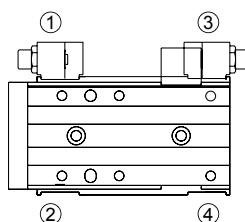
Linear slide cylinder LCR Series

Variation	Model no. JIS symbol	Bore size (mm)	Stroke length (mm)									
			10	20	30	40	50	75	100	125		150
Double acting single rod type 	LCR	ø6	●	●	●	●	●					
		ø8	●	●	●	●	●	●				
		ø12	●	●	●	●	●	●	●			
		ø16	●	●	●	●	●	●	●	●		
		ø20, ø25	●	●	●	●	●	●	●	●	●	●
Double acting position locking type 	LCR-Q	ø8	●	●	●	●	●	●				
		ø12	●	●	●	●	●	●	●			
		ø16	●	●	●	●	●	●	●	●		
		ø20, ø25	●	●	●	●	●	●	●	●	●	●
Double acting single rod type Clean room specifications 	LCR-P7*	ø6	●	●	●	●	●					
		ø8	●	●	●	●	●	●				
		ø12	●	●	●	●	●	●	●			
		ø16	●	●	●	●	●	●	●	●		
		ø20, ø25	●	●	●	●	●	●	●	●	●	●

●: Standard ○: Option ◯: Available ■: Not available

Option																Switch	Page
Stopper for adjustable stroke						Shock absorber type stopper						With buffer		Plug attached			
Stopper position ①	Stopper position ②	Stopper position ③	Stopper position ④	Stopper position ①・③	Stopper position ②・④	Stopper position ①	Stopper position ②	Stopper position ③	Stopper position ④	Stopper position ①・③	Stopper position ②・④	Without switch groove	With switch groove				
S1	S2	S3	S4	S5	S6	A1	A2	A3	A4	A5	A6	B	BL	N			
○	○	○	○	○	○	○	○	○	○	○	○	○	○	○	○	○	1
○	○	■	■	■	■	○	○	■	■	■	■	○	○	■	○	23	
○	○	○	○	○	○	■	■	■	■	■	■	■	■	○	○	31	

● Stopper position





Safety precautions

Always read this section before starting use.

When designing and manufacturing a device using CKD products, the manufacturer is obligated to check that device safety and mechanism, pneumatic or hydraulic control circuit and the system operated by electrical control that controls the devices is secured.




It is important to select, use, handle, and maintain the product appropriately to ensure that the CKD product is used safely. Observe warnings and precautions to ensure device safety.

Check that device safety is ensured, and manufacture a safe device.

WARNING

- 1** This product is designed and manufactured as a general industrial machine part.
It must be handled by an operator having sufficient knowledge and experience in handling.
- 2** Use this product in accordance of specifications.
This product must be used within its stated specifications. It must not be modified or machined.
This product is intended for use as a general-purpose industrial device or part. It is not intended for use outdoors or for use under the following conditions or environment.
(However, if CKD is consulted prior to use and the customer consents to CKD product specifications, then the product may be used under conditions not intended. In that case, the customer must provide safety measures to avoid risks in the event of failures.)
 - ① Use for special applications including nuclear energy, railway, aircraft, marine vessel, vehicle, medical devices, devices coming into contact with beverages or foodstuffs, amusement devices, emergency cutoff circuits (cutoff, open, etc.), press machines, press circuits, or safety devices.
 - ② Use for applications where life or assets could be adversely affected, and special safety measures are required.
- 3** Observe corporate standards, regulations and etc., related to the safety of device design and control, etc.
ISO4414, JIS B8370 (pneumatic system rules)
JFPS2008 (principles for pneumatic cylinder selection and use)
Including High Pressure Gas Maintenance Law, Occupational Safety and Sanitation Laws, other safety rules, body standards and regulations, etc.
- 4** Do not handle, pipe, or remove devices before confirming safety.
 - ① Do not inspect or service equipment/machinery until safety is confirmed on the entire systems related to this product.
 - ② Note that there may be hot or charged sections even after operation is stopped.
 - ③ When inspecting or servicing the device, turn off the energy source (air supply or water supply), and turn off power to the facility. Discharge any compressed air from the system, and pay maximum attention to possible leakage of water and electricity
 - ④ When starting or restarting a machine or device that incorporates pneumatic components, make sure that the system safety, such as pop-out prevention measures, is secured.
- 5** Observe warnings and cautions on the pages below to prevent accidents.

■ The precautions are ranked as "DANGER", "WARNING" and "CAUTION" in this section.

-  **DANGER:** When a dangerous situation may occur if handling is mistaken leading to fatal or serious injuries, or when there is a high degree of emergency to a warning.
-  **WARNING:** When a dangerous situation may occur if handling is mistaken leading to fatal or serious injuries.
-  **CAUTION:** When a dangerous situation may occur if handling is mistaken leading to minor injuries or physical damage.

Note that some items described as "CAUTION" may lead to serious results depending on the situation. In any case, important information that must be observed is explained.

Limited warranty and disclaimer

- 1** Term of warranty
"Warranty Period" is one (1) year from the first delivery to the customer.
- 2** Scope of warranty
In case any defect attributable to CKD is found during the term of warranty
This limited warranty will not apply to:
 - (1) Product abuse/misuse contrary to conditions/environment recommended in its catalogs/specifications.
 - (2) Failure due to other causes.
 - (3) Use other than original design purposes.
 - (4) Third-party repair/modification
 - (5) Failure due to causes not foreseeable with technology at the time of delivery.
 - (6) Failure attributable to force majeure.In no event shall CKD be liable for business interruptions, loss of profits, personal injury, costs of delay or for any other special, indirect, incidental or consequential losses costs or damages.
- 3** Compatibility confirmation
In no event shall CKD be liable for merchantability or fitness for a particular purpose, notwithstanding any disclosure to CKD of the use to which the product is to be put.



Pneumatic components

Safety precautions

Always read this section before starting use.

Refer to Pneumatic Cylinders I (CB-029SA) for further details on cylinder switches and cylinders in general.

Design & Selection

1. Common

⚠ CAUTION

- Select the cylinder according to the "LCR selection guide" on pages 47 to 50.
- When using the cylinder where it could be subject to water or oil exposure, where it could corrode, or where high levels of dust are present, the cylinder could malfunction or get damaged. Protect the product with a cover.
- Cautions of type with switch
 - If the T*V type switch is used with the stopper for stroke adjustment (S3**, S4**, S5**, S6**) or shock absorber type stopper (A3**, A4**, A5**, A6**), the switch on the head interferes with the stopper. Install the switch on the opposite side of the stopper.

If the T*V type switch is used with the stopper for stroke adjustment (S3**, S4**, S5**, S6**) or shock absorber type stopper (A3**, A4**, A5**, A6**), the switch on the head interferes with the stopper. Install the switch on the opposite side of the stopper.

- When using a switch with a stroke of less than 30, one switch is installed in each of the two grooves on the body. Check the direction of leads in design.

2. Position locking type LCR-Q

⚠ CAUTION

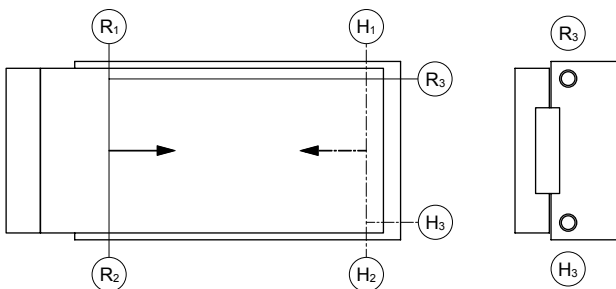
- Do not use a 3-position valve.
- Do not use this cylinder combined with 3-position valve, especially that with a closed center metal seal. The lock is not applied if pressure is sealed on the port having the lock. Even if locked once, air leakage from the valve may enter the cylinder then the lock may be released over time.

Installation & Adjustment

1. Common; piping

⚠ CAUTION

- When changing the piping position, use adhesive on M3 and M5 plugs (hexagon socket head set screw). Use a low-strength adhesive such as LOCTITE 222/221, or ThreeBond 1344.
- Piping port position and operating direction



Ⓡ indicates the rod end, Ⓜ indicates the head end pressurizing port. When shipped from the factory, the ports other than Ⓡ₁ and Ⓜ₁ are sealed with plugs. This may be Ⓡ₂ and Ⓜ₂ depending on the stopper position if a stopper is selected.

■ Rear piping

This product can be used with rear piping (port Ⓡ₃, Ⓜ₃ on figure above) except for ø6 and position locking models. When using this product, remove the plug sealing Ⓡ₃ and Ⓜ₃, and seal ports Ⓡ₁ and Ⓜ₁ shown on the table to the right.

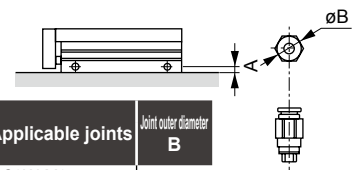
Descriptions	Plug
LCR-6	Port Ⓡ and Ⓜ do not exist.
LCR-8	
LCR-12	M5 x 5 (hexagon socket head set screw)
LCR-16	
LCR-20	R1/8 (hexagon socket head tapered screw plug)
LCR-25	Seal ports Ⓡ and Ⓜ with plugs used to seal ports Ⓡ and Ⓜ.

2 more plugs are required separately from the chart above when using ø8 to 20.

Use the plug attachment options on page 3 and plug model number on page 6 as a reference.

■ Precautions for piping joint

Install a speed control valve when piping. The applicable joints are shown as below.



Descriptions	Port size	Port dimension A	Applicable joints	Joint outer diameter B
ø6	M3	4	SC3W-M3-4	ø8 or less
			SC3U-M3-4	
			SC3W-M3-3.2	
			SC3U-M3-3.2	
ø8	M5	5.5	SC3W-M5-4	ø11 or less
			SC3W-M5-6	
			GWS4-M5-S	
ø12	M5	5.5	GWS4-M5	ø13 or less
			GWS4-M5	
ø16	M5	6.5	SC3W-M5-4	ø15 or less
			SC3W-M5-6	
			GWS4-M5-S	
			GWS4-M5	
			GWS6-M5	
ø20	Rc1/8	8	SC3W-6-4, 6, 8	ø15 or less
			GWS4-6	
ø25	Rc1/8	9	GWS8-6	ø15 or less
			GWL6-6	
			GWS6-6	

Installation & Adjustment

2. Common; installation

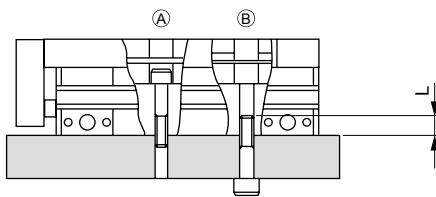
⚠ CAUTION

- Check that no dents or scratches occur on main tubing installation or end plates that may adversely affect flatness.

The flatness of the counter part onto which the end plate installed must be 0.05mm or less.

- Observe the following values for the bolt insertion length and tightening torque when installing this product.

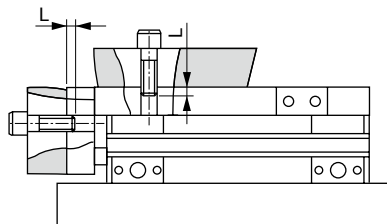
<Fig. 1>



Descriptions	A		B		
	Applicable bolts	Tightening torque (N·m)	Applicable bolts	Tightening torque (N·m)	Max. screw depth L (mm)
LCR-6	M3 x 0.5	0.6 to 1.1	M4 x 0.7	1.4 to 2.4	6
LCR-8	M3 x 0.5	0.6 to 1.1	M4 x 0.7	1.4 to 2.4	6
LCR-12	M4 x 0.7	1.4 to 2.4	M5 x 0.8	2.9 to 5.1	8
LCR-16	M5 x 0.8	2.9 to 5.1	M6 x 1.0	4.8 to 8.6	9
LCR-20	M5 x 0.8	2.9 to 5.1	M6 x 1.0	4.8 to 8.6	9
LCR-25	M6 x 1.0	4.8 to 8.6	M8 x 1.25	12.0 to 21.6	12

- Observe the following bolt insertion lengths and tightening torque when installing the jig on the slide table or end plate.

<Fig. 2>

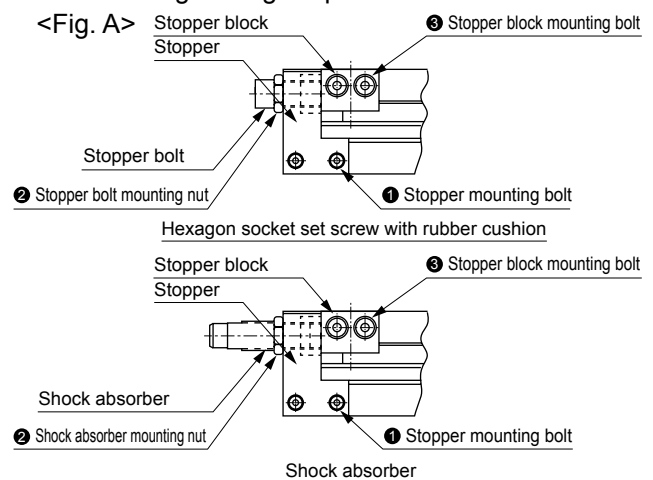


Descriptions	Table		
	Applicable bolts	Tightening torque (N·m)	Screw-in length L (mm)
LCR-6	M3 x 0.5	0.6	3
LCR-8	M3 x 0.5	0.6	3 to 4.5
LCR-12	M4 x 0.7	1.4	4 to 5.5
LCR-16	M5 x 0.8	2.9	5 to 6
LCR-20	M5 x 0.8	2.9	5 to 6
LCR-25	M6 x 1.0	4.8	6 to 7

Descriptions	End plate		
	Applicable bolts	Tightening torque (N·m)	Screw-in length L (mm)
LCR-6	M3 x 0.5	0.6	4.5 to 6
LCR-8	M3 x 0.5	0.6	4.5 to 7
LCR-12	M4 x 0.7	1.4	6 to 9
LCR-16	M5 x 0.8	2.9	7.5 to 9
LCR-20	M5 x 0.8	2.9	7.5 to 11
LCR-25	M6 x 1.0	4.8	9 to 11

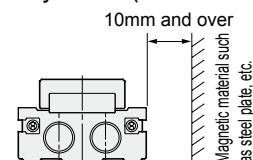
- Observe the following values for bolts at the stopper and in nut tightening torque.

<Fig. A>

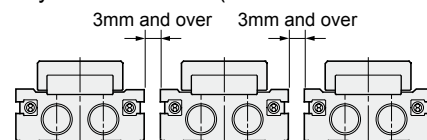


Model	1 Stopper mounting bolt	2 Stopper bolt mounting nut 2 Shock absorber mounting nut	3 Stopper block mounting bolt
	(N·m)	(N·m)	(N·m)
LCR-6	0.4 to 0.5	1.2 to 2.0	0.6 to 0.8
LCR-8	0.4 to 0.5	1.2 to 2.0	0.6 to 0.8
LCR-12	0.6 to 0.8	1.2 to 2.0	0.6 to 0.8
LCR-16	0.6 to 0.8	3.0 to 4.0	1.4 to 1.8
LCR-20	2.9 to 3.5	4.5 to 6.0	1.4 to 1.8
LCR-25	2.9 to 3.5	4.5 to 6.0	2.9 to 3.5

- The cylinder switch could malfunction if there is a magnetic substance, such as a steel plate, near the cylinder switch. Move the magnetic substance to at least 10mm from the cylinder. (Same for all bore size)



- Cylinder switch could malfunction if cylinders are placed adjacently. Check that the following distance is maintained between cylinder surfaces. (Same for all bore size)



- Shock absorbers are consumables. Replace the shock absorber if energy absorption performance drops or if movement is no longer smooth.

- When using the dowel hole, the pin must not have dimensions for press fit. There is a risk of debasement in precision if the linear guide is damaged or deformed by press fit load.

Recommended tolerance for the pin is JIS tolerance m6 or less.

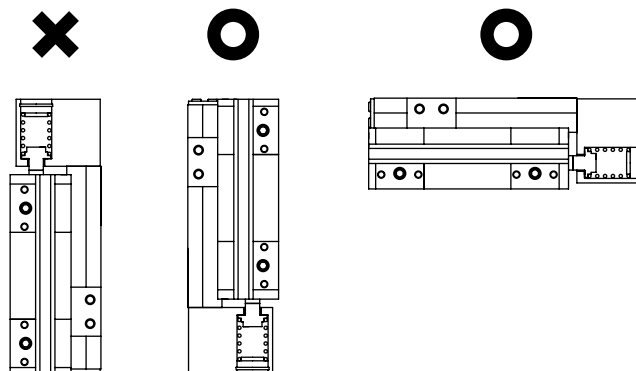
3. Position locking type LCR-Q

⚠ CAUTION

- The locking mechanism functions at stroke limit. If the stopper is applied with the external stopper in the middle of a stroke, the locking mechanism will not function and the load may drop. Before setting the load, check that the locking mechanism functions correctly.
- Supply a pressure higher than the minimum working pressure to the port with the locking mechanism.
- If piping on the side with the lock is thin and long, or if the speed controller is separated from the cylinder port, exhaust may slow, taking time for the lock to function. This may also occur if the silencer on the solenoid valve's exhaust port is clogged.

4. LCR-B with buffer

- Depending on the speed and load, there is a risk of malfunction of switches. Adjust the speed of this product accordingly to the load.
- Note that cylinders with buffers cannot be used vertically upward.



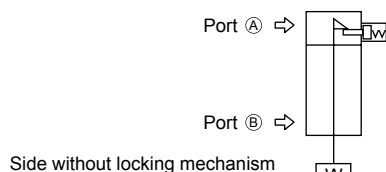
- Use a buffer below the buffer stroke. There is a risk of damage and malfunction.

During Use & Maintenance

1. Position locking type LCR-Q

⚠ WARNING

- If pressure is supplied to port (A) in the locked state with neither port pressurized, locks may not be releasable or may be released suddenly, causing the piston rod to pop out, which is extremely dangerous. When releasing the locking mechanism, supply pressure to port (B) and check that no load is applied to the locking mechanism.



- If lowering speed is to be increased with the quick exhaust valve, the cylinder may move out faster than the lock pin and prevent the locking pin from being released correctly. Do not use a quick exhaust valve with the cylinder with position locking.

⚠ CAUTION

- If negative pressure is applied to the locking mechanism, the lock may be released. Use the solenoid valve as a discrete unit, or use an independently exhausted manifold.
- After manually operating the locking mechanism, return the locking mechanism to the original position. Do not use a manual override except during adjustment because it is dangerous.

- Release the lock when installing or adjusting the cylinder.
The lock could be damaged if the cylinder is installed while it is locked.

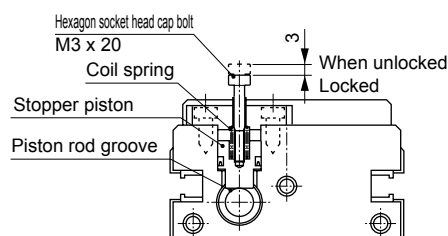
- Do not use multiple cylinders in synchronous.
Do not move more than one workpiece using more than two cylinders with position locking mechanism in synchronous. One of the cylinder's locks may not be released.

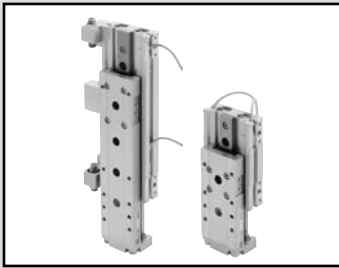
- Use the speed control valve with meter-out control.
Lock may not be released during meter-in control.

- Use the side with the lock with the cylinder stroke end.
If the cylinder's piston does not reach the stroke end, the lock may not operate.

■ How to release

Screw a hexagon socket head cap bolt (M3 × 20) into the stopper piston, and pull the bolt up 3 mm with a force of 20N or more. The stopper piston moves and the lock is released during horizontal no-load installation or with the rod port pressurized. When the hand is released, the stopper piston is returned by the internal spring and enters the piston rod slot, locking the cylinder.

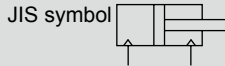




Linear slide cylinder Double acting single rod type

LCR Series

● Bore size: $\phi 6 \cdot \phi 8 \cdot \phi 12 \cdot \phi 16 \cdot \phi 20 \cdot \phi 25$



Specifications

Descriptions		LCR					
Bore size	mm	$\phi 6$	$\phi 8$	$\phi 12$	$\phi 16$	$\phi 20$	$\phi 25$
Actuation		Double acting					
Working fluid		Compressed air					
Max. working pressure	MPa	0.7					
Min. working pressure	MPa	0.15 (Note 1)					
Withstanding pressure	MPa	1					
Ambient temperature	°C	-10 to 60 (no freezing)					
Port size	Body side surface	M3	M5			Rc1/8	
	Rear body	M3			M5	Rc1/8	
Stroke tolerance	mm	+ 2.0 0 (Note 2)					
Working piston speed	mm/s	50 to 500 (Note 3)					
Cushion		Rubber cushioned					
Lubrication		Not required (when lubricating, use turbine oil Class 1 ISOVG 32.)					
Allowable energy absorption	J	Refer to the table 3 on Page 49.					

Note 1: 0.2MPa when using shock absorber type stopper of $\phi 6$.

Note 2: When using without a stopper, be careful of the small gap between end plate and floating bush.

Note 3: When use the stroke adjustment stopper, use it when it is 50 and 200 mm/s.

Stroke length

Bore size (mm)	Standard stroke length (mm)
$\phi 6$	10, 20, 30, 40, 50
$\phi 8$	10, 20, 30, 40, 50, 75
$\phi 12$	10, 20, 30, 40, 50, 75, 100
$\phi 16$	10, 20, 30, 40, 50, 75, 100, 125
$\phi 20$	10, 20, 30, 40, 50, 75, 100, 125, 150
$\phi 25$	10, 20, 30, 40, 50, 75, 100, 125, 150

Note: Stroke length other than above is not available.

Specification with buffer Specifications other than the ones shown below are the same as the specifications shown on the table above.

Descriptions		LCR with buffer					
Bore size	mm	$\phi 6$	$\phi 8$	$\phi 12$	$\phi 16$	$\phi 20$	$\phi 25$
Buffer stroke	mm	4		9		10	
Buffer	At setting N	3	5	10	13	17	21
Spring load	During operation N	7	8	14	20	25	29

Note 1: Rod side stroke adjustment by a type with buffer shortens buffer stroke length as much as adjusted stroke length. This also results in higher spring load at setting.

Note 2: Use buffer stroke below the above stroke length. There is a risk of malfunction and damage.

Switch specifications

* T0/T5 switches are 220 VAC compatible.
Consult CKD for working conditions.

- 1 color/2 color indicator

Descriptions	Reed 2 wire				Proximity 2 wire		Proximity 3 wire	
	T0H/T0V		T5H/T5V		T2H/T2V	T2WH/T2WV	T3H/T3V	T3WH/T3WV
Applications	Programmable controller and relay		Programmable controller, relay IC circuit (w/o light), serial connection		Programmable controller dedicated		Programmable controller and relay	
Output method	-		-		-		NPN output	
Power voltage	-		-		-		10 to 28 VDC	
Load voltage	12/24 VDC	110 VAC	5/12/24 VDC	110 VAC	10 to 30 VDC	24 VDC ±10%	30 VDC or less	
Load current	5 to 50mA	7 to 20mA	50mA or less	20mA or less	5 to 20mA		100mA or less	50mA or less
Light	LED (ON lighting)		Without indicator light		LED (ON lighting)	Red/green LED (ON lighting)	LED (ON lighting)	Red/green LED (ON lighting)
Leakage current	0mA				1mA or less		10 µA or less	

Descriptions	Proximity 2 wire		Proximity 3 wire		Proximity 2 wire		Proximity 3 wire	
	F2S		F3S		F2H/F2V	F2YH/F2YV	F3H/F3V	F3YH/F3YV
Applications	Programmable controller dedicated		Programmable controller and relay		Programmable controller dedicated		Programmable controller and relay	
Output method	-		NPN output		-		NPN output	
Power voltage	-		10 to 28 VDC		-		10 to 28 VDC	
Load voltage	10 to 30 VDC		30 VDC or less		10 to 30 VDC	24 VDC ±10%	30 VDC or less	
Load current	5 to 20mA		50mA or less		5 to 20mA		100mA or less	50mA or less
Light	Red LED (ON lighting)		Red LED (ON lighting)		LED (ON lighting)	Red/green LED (ON lighting)	LED (ON lighting)	Red/green LED (ON lighting)
Leakage current	1mA or less		10 µA or less		1mA or less		10 µA or less	

Cylinder weight

- Basic type

(Unit: g)

Bore size (mm)	Basic type mm stroke (mm)								
	10	20	30	40	50	75	100	125	150
ø6	110	110	130	160	180	-	-	-	-
ø8	160	160	180	230	260	320	-	-	-
ø12	310	320	320	360	390	520	610	-	-
ø16	490	500	500	550	610	840	970	1,110	-
ø20	900	910	920	1,000	1,090	1,390	1,600	1,810	2,020
ø25	1,620	1,640	1,650	1,760	1,860	2,350	2,620	2,890	3,160

- Additional option

(Unit: g)

Bore size (mm)	Option, stopper symbol				With buffer
	S1 to S4	S5/S6	A1 to A4	A5/A6	B/BL
ø6	30	40	40	50	40
ø8	40	60	50	70	40
ø12	70	100	80	110	70
ø16	110	150	120	160	80
ø20	170	250	180	270	150
ø25	290	380	300	400	320

Secondary battery compatible specification

LCR-: ... -

P4*

- Structure that can be used in secondary battery manufacturing process.

* Consult with CKD for details.

How to order

Without switch



With switch



Model no.

A Bore size

B Stroke length

C Switch model no.
Note 11

E Option

⚠ Note on model no. selection

- Note 1: Use stopper for adjustable stroke on Page 6 when changing the adjustable stroke range.
- Note 2: When using a shock absorber, refer to the stopper dimensions table on page 21 for the adjustable stroke range.
- Note 3: Refer to stopper dimensions on page 21 for port locations.
- Note 4: The port position of standard type will be ① and ③ on the figure below when stoppers are not installed.
- Note 5: The stopper for adjustable stroke and shock absorber stopper combination is available as a customized part.
- Note 6: Selectable only when using stoppers.
- Note 7: Switch for the buffer section must be purchased separately. Please refer to the switch model no. selection chart on page 5.
- Note 8: Refer to the selection table on page 4 for option combinations.
- Note 9: For $\phi 6$ to $\phi 8$ cylinders with 10mm stroke or $\phi 12$ to $\phi 25$ cylinders with 20mm stroke or less, custom order is applied because A1**, A2**, A5** and A6** can not be adjusted by a standard stopper.
- Note 10: For $\phi 6$ to $\phi 8$ and 30mm stroke or less cylinder with S*** or A*** switch, when two switches will be installed, select F*H type switch.
- Note 11: F2S and F3S switches will be shipped uninstalled the product. Please consult our sales representative if it needs to be shipped installed.
- Note 12: Select when using with rear piping.

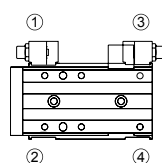
<Example of model number>

LCR-12-40-F2H-R-A1DT

Model: Linear slide cylinder double acting/single rod type LCR

- A** Bore size : $\phi 12$
- B** Stroke length : 40mm
- C** Switch model no. : Proximity and 2 wire
Axial lead wire
- D** Switch quantity : 1 on rod end
- E** Other options : Shock absorber type
Stopper position ①
With ports on side and bottom
Material, alloy steel (nitriding)

● Stopper position



Symbol	Descriptions
A Bore size	
6	$\phi 6$
8	$\phi 8$
12	$\phi 12$
16	$\phi 16$
20	$\phi 20$
25	$\phi 25$

		Bore size (ϕ)					
		6	8	12	16	20	25
10	10	●	●	●	●	●	●
20	20	●	●	●	●	●	●
30	30	●	●	●	●	●	●
40	40	●	●	●	●	●	●
50	50	●	●	●	●	●	●
75	75		●	●	●	●	●
100	100			●	●	●	●
125	125				●	●	●
150	150					●	●

C Switch model no.							Bore size					
Axial lead wire	Radial lead wire	Contact	Indicator	Lead wire	$\phi 6$	$\phi 8$	$\phi 12$	$\phi 16$	$\phi 20$	$\phi 25$		
F2S		Proximity	1 color indicator	2-wire								
F3S				3-wire								
F2H*	F2V*			2-wire	●	●	●					
F3H*	F3V*			3-wire								
F2YH*	F2YV*			2-wire								
F3YH*	F3YV*			3-wire								
T0H*	T0V*	Reed	1 color indicator	2-wire								
T5H*	T5V*			Without indicator								
T2H*	T2V*			2-wire				●	●	●		
T3H*	T3V*	Proximity	1 color indicator	3-wire								
T2WH*	T2WV*			2-wire								
T3WH*	T3WV*			3-wire								

* Lead wire length		$\phi 6$	$\phi 8$	$\phi 12$	$\phi 16$	$\phi 20$	$\phi 25$
Blank	1m (standard)					●	
3	3m (option)					●	
5	5m (option)						●

D Switch quantity	
R	1 on rod end
H	1 on head end
D	2

E Option	
Blank	No option

S stopper for adjustable stroke

Adjustable stroke single 5mm		Note 1, Note 5, note 8	Stopper installation position
S1**	Stopper position ① (changeable to ④)		
S2**	Stopper position ② (changeable to ③)		
S3**	Stopper position ③ (changeable to ②)		
S4**	Stopper position ④ (changeable to ①)		
S5**	Stopper position ① and ③		
S6**	Stopper position ② and ④		

A shock absorber type stopper

Note 2, Note 5, note 8		Stopper installation position
A1**	Stopper position ① (changeable to ④)	
A2**	Stopper position ② (changeable to ③)	
A3**	Stopper position ③ (changeable to ②)	
A4**	Stopper position ④ (changeable to ①)	
A5**	Stopper position ① and ③	
A6**	Stopper position ② and ④	

** section

Blank	Port at stopper section: no port
D	Port at stopper section: side surface and bottom side ports presence Note 3, Note 6
Blank	Stopper block material: Rolled steel
T	Stopper block material: Alloy steel (nitriding) Note 6
B with buffer Note 7, note 8	
B	Without switch groove
BL	With switch groove
Plug attached	
Blank	None
N	Plug for side piping attached (can not be selected for $\phi 6$ and $\phi 25$) Note 12

LCR double acting/single rod type combination availability table

(Combinations of stopper for adjustable stroke and shock absorber type stopper) ○: Combination available -: Combination not available

Model no. symbol	Option symbol		Stopper for adjustable stroke						Shock absorber type stopper						
	Bore size	Stroke length	S1	S2	S3	S4	S5	S6	A1	A2	A3	A4	A5	A6	
LCR	ø6, ø8	10	○	○	○	○	○	○	○	-	-	○	○	-	-
		20 and over	○	○	○	○	○	○	○	○	○	○	○	○	○
LCR-B and BL	ø12 to ø25	10 to 20	○	○	○	○	○	○	○	-	-	○	○	-	-
		30 and over	○	○	○	○	○	○	○	○	○	○	○	○	○

Combination of option symbol D: With stopper section port and T: Alloy (nitriding) stopper block follows the combination table above.

How to order switch

For $\varnothing 6$ to $\varnothing 12$

SW - F2H

Switch model no.
(Page 3 © section)

For $\varnothing 16$ to $\varnothing 25$

SW - T2H3

Switch model no.
(Page 3 © section)

● Buffer

SW - F 2 V 3

Output type	
2	2 wire proximity DC
3	3 wire proximity DC
Radial lead wire	
Lead wire length	
Blank	1m (standard)
3	3m (option)

How to order stopper set

- Stopper section and stopper for adjustable stroke or shock absorber stopper set
- Use when changing from standard to "with stopper for adjustable stroke" or "with shock absorber stopper"

LCR - 12 - S 2 D - S02

Bore size
(Page 3 Ⓐ section)

A Stopper type	
S	Stopper for adjustable stroke
A	Shock absorber type stopper
B Stopper installation position Note 1	
1	For stopper position ① or ④
2	For stopper position ② or ③
C Port at stopper section	
Blank	No port
D	With ports on side and bottom
D Adjustable stroke length Note 2 · Note 3	
Blank	Adjustable stroke range 5mm
S02	Adjustable stroke range 15mm
S03	Adjustable stroke range 25mm

Note 1: Refer to the chart below when attaching stopper on ① or ② because the stroke adjustment changes according to the stroke.

Note 2: "S03" can not be selected with $\varnothing 6$ or $\varnothing 8$.

Note 3: Can not be selected with shock absorber type stopper "A".

Precautions for ordering stopper set

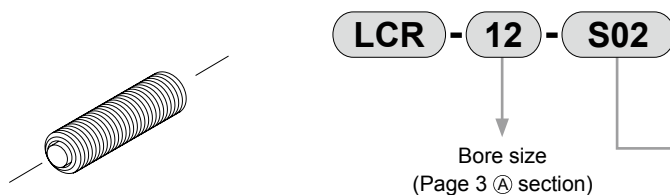
Only when installing a stopper for adjustable stroke or a shock absorber type stopper on installation position ①, ② (refer to page 3), the combination shown on the right may be applied depending on stroke length and adjusted stroke length.

—: not available

Model no. symbol	Option symbol		Discrete stopper for adjustable stroke		
	Bore size	Stroke length	Adjusted stroke length (mm)		
			-5	-15	-25
LCR Series	$\varnothing 6, \varnothing 8$	10	S02	—	—
		20 and over	Not required additionally	S02	—
	$\varnothing 12$ to $\varnothing 25$	10	S03	—	—
		20	S02	S03	—
		30 and over	Not required additionally	S02	S03

How to order the discrete stopper for adjustable stroke

- Hexagon socket head set screw with urethane
- Used when changing the adjustable stroke range or setting to custom stroke length.



A Adjustable stroke range	
S01	Single 5mm (standard)
S02	Single 15mm
S03	Single 25mm

Specify the S01, S02, S03 at the (A) section.

Note: S03 is not available for $\phi 6$, $\phi 8$.

Depending on model no., some models are not available and adjustable stroke range may be different from above.

Cautions when purchasing discrete stopper.

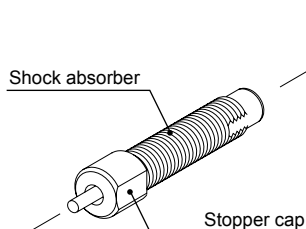
Only when installing a stopper for adjustable stroke or a shock absorber type stopper on installation position ①, ② (refer to page 3), the combination shown on the right may be applied depending on stroke length and adjusted stroke length.

—: combination not available

Model no. symbol	Option symbol		Discrete stopper for adjustable stroke			Shock absorber type discrete stopper
			Adjusted stroke length (mm)			
	Bore size	Stroke length	-5	-15	-25	
LCR Series -S1, S2, S5, S6 -A1, A2, A5, A6	$\phi 6$, $\phi 8$	10	S02	—	—	—
		20 and over	S01	S02	—	A01
	$\phi 12$ to $\phi 25$	10	S03	—	—	—
		20	S02	S03	—	—
		30 and over	S01	S02	S03	A01

How to order the discrete shock absorber stopper

- Sets of shock absorber and stopper cap
- Use for changing from shock absorber type stopper to stopper for adjustable stroke



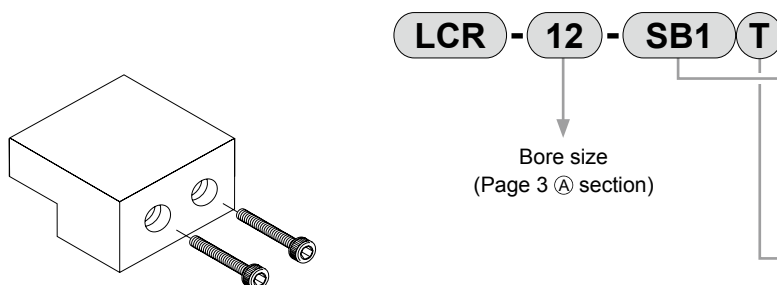
Note: Some models may not be available depending on the type. Refer to Page 3. Refer to page 21 for the stroke adjustment range for the shock absorber type stopper.

Applicable shock absorber model No.

Model	Shock absorber model no.
LCR-6	NCK-00-0.1
LCR-8	NCK-00-0.3
LCR-12	NCK-00-0.3
LCR-16	NCK-00-0.7
LCR-20	NCK-00-1.2
LCR-25	NCK-00-1.2

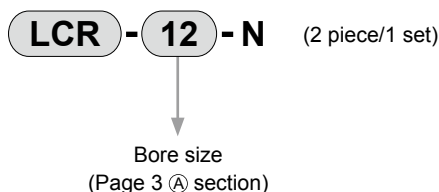
Discrete stopper block model no. display

- Used when changing standard type to stopper for adjustable stroke or shock absorber type stopper.



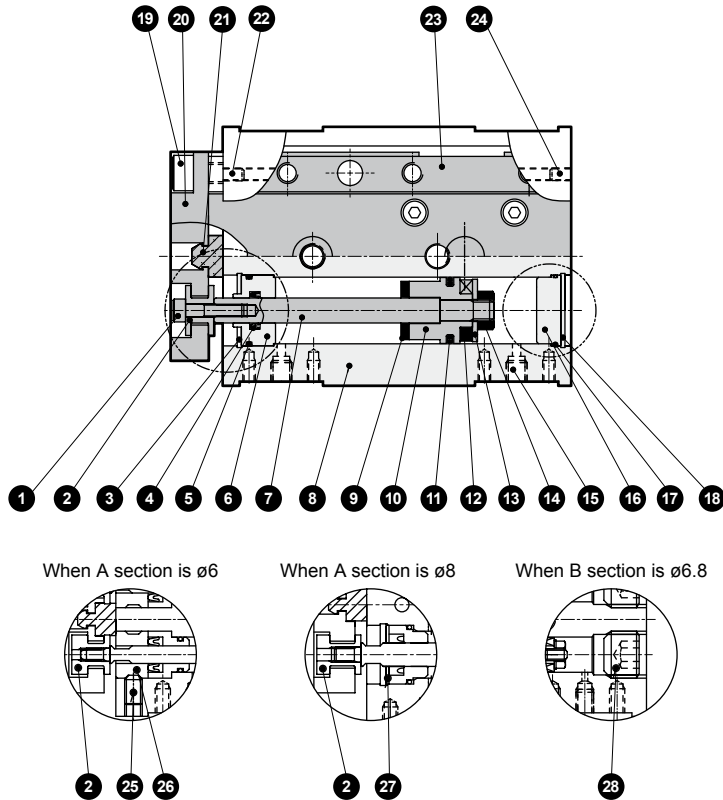
A Stopper block	
SB1	$\phi 6$, $\phi 8$: 30 mm stroke or less
	$\phi 12$ to $\phi 25$: 50 mm stroke or less
SB2	$\phi 6$, $\phi 8$: 40 mm stroke and over
	$\phi 12$ to $\phi 25$: 75 mm stroke and over
B Material	
Blank	Stopper block material: Rolled steel
T	Stopper block material: Alloy steel (nitriding)

Plug kit model no. display for side piping port



Internal structure and parts list

● LCR



Parts list

No.	Parts name	Material	Remarks	No.	Parts name	Material	Remarks
1	Hexagon socket head cap bolt	Alloy steel	Zinc chromate	16	Guard	Aluminum alloy	Chromate
2	Floating bush	Stainless steel		17	Guard gasket	Nitrile rubber	
3	C type snap ring	Steel	For ø8 to 25 only	18	C type snap ring	Steel	For ø12 to 25 only
4	Rod packing seal	Nitrile rubber		19	Hexagon socket head cap bolt	Alloy steel	Zinc chromate
5	Metal gasket	Nitrile rubber		20	End plate	Aluminum alloy	Alumite
6	Rod bushing	Aluminum alloy	Alumite	21	Cushion rubber (H)	Urethane rubber	
7	Piston rod	Stainless steel		22	Hexagon socket head set screw	Stainless steel	
8	Cylinder body	Aluminum alloy	Hard alumite	23	Table	Aluminum alloy	Alumite
9	Cushion rubber (R)	Urethane rubber		24	Plug	Stainless steel	ø6 to ø20
10	Piston	Aluminum alloy	Chromate			Steel	ø25
11	Piston packing seal	Nitrile rubber		25	Hexagon socket head set screw	Stainless steel	Only ø6
12	Magnet	Plastic		26	Rod bushing A	Aluminum alloy	
13	Plain washer	Stainless steel		27	Cap	Stainless steel	
14	Hexagon nut	Stainless steel		28	Hexagon socket set screw	Alloy steel	Zinc chromate
15	Plug	Stainless steel	ø6 to ø16				
		Steel	ø20 to ø25				

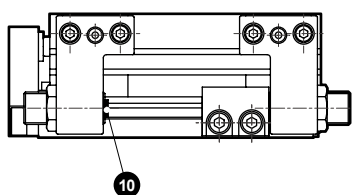
Repair parts list

Bore size (mm)	Kit No.	Repair parts number
ø6	LCR-6K	
ø8	LCR-8K	
ø12	LCR-12K	4 5 9
ø16	LCR-16K	11 17 21
ø20	LCR-20K	
ø25	LCR-25K	

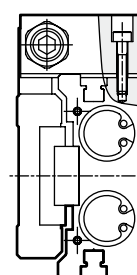
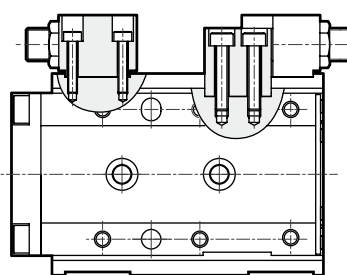
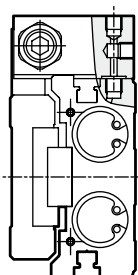
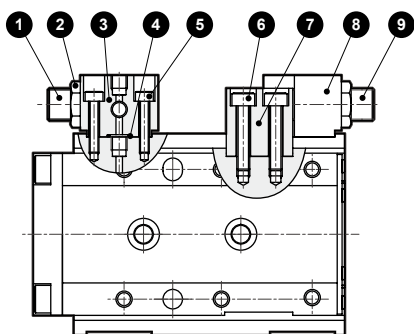
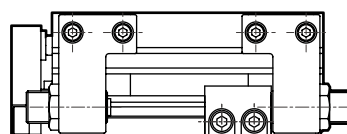
Internal structure and parts list

Configuration with stopper

● With port on the side and the bottom (symbol D)



● Without port on the stopper section



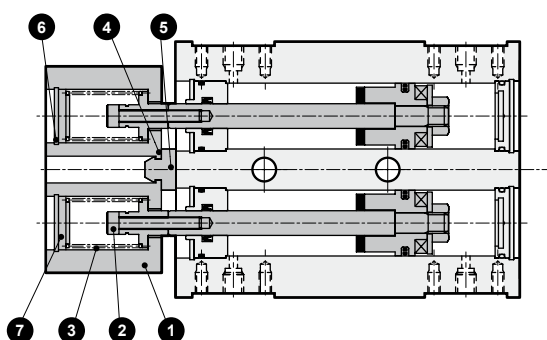
Parts list

No.	Parts name	Material	Remarks	No.	Parts name	Material	Remarks
1	Stopper bolt	Alloy steel	Nickel plated	7	Stopper block (Stopper block symbol: Blank)	Steel	Nickel plated
2	Hexagon nut	Alloy steel	Nickel plated		Stopper block (Stopper block symbol: T)	Alloy steel	Nitriding
3	Stopper A	Aluminum alloy	Alumite	8	Stopper B	Aluminum alloy	Alumite
4	Gasket	Urethane rubber		9	Stopper bolt	Alloy steel	Nickel plated
5	Hexagon socket head cap bolt	Alloy steel	Zinc chromate	10	Cushion rubber	Urethane rubber	
6	Hexagon socket head cap bolt	Alloy steel	Zinc chromate				

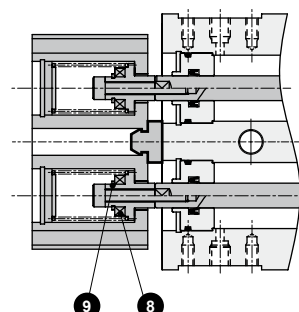
Structural drawing with buffer

LCR-*-B*

● Without switch groove, with buffer



● With switch groove, with buffer



Parts list

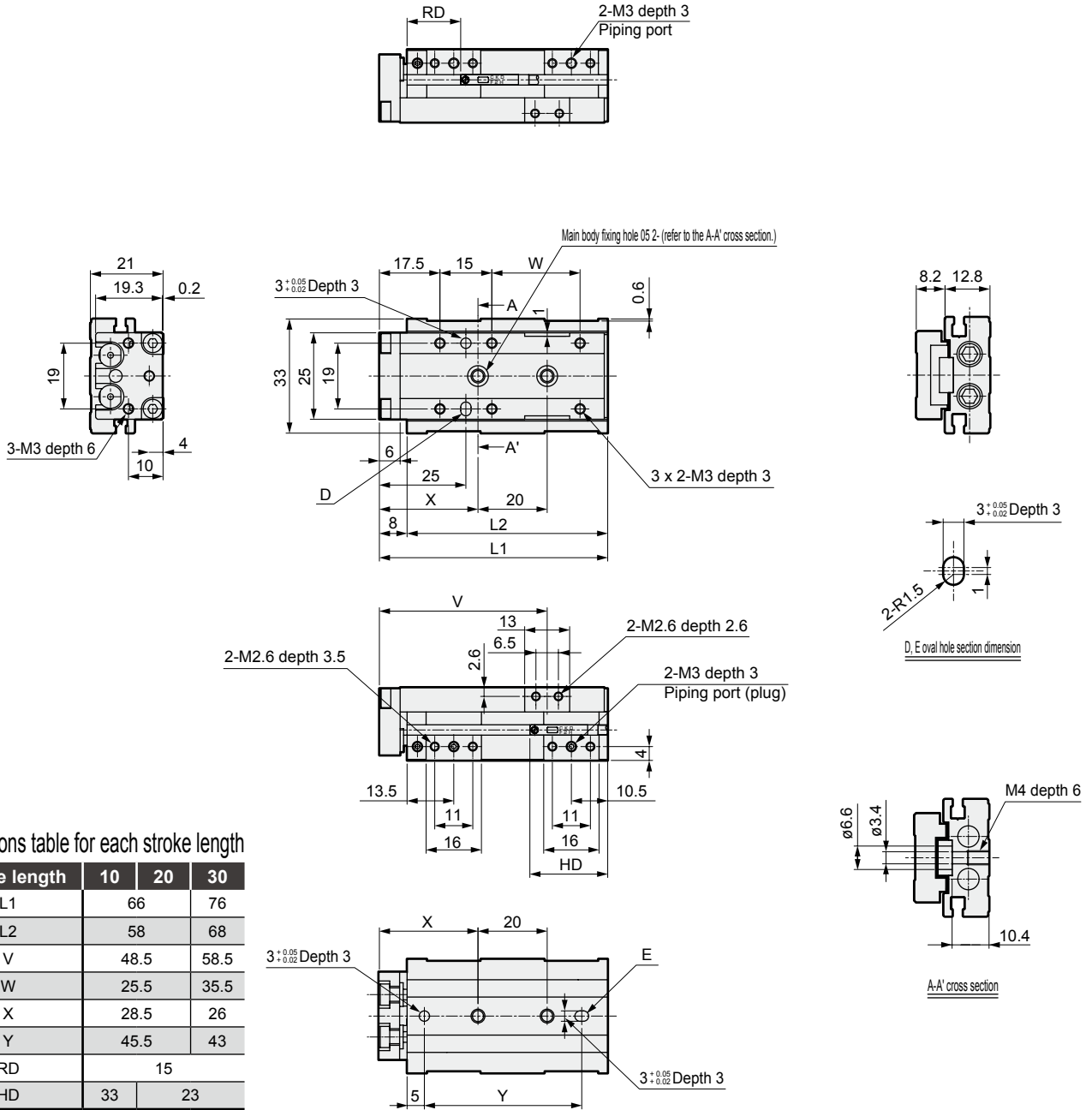
No.	Parts name	Material	Remarks	No.	Parts name	Material	Remarks
1	End plate	Aluminum alloy	Alumite	6	C type snap ring	Steel	
2	Hexagon socket head cap bolt	Alloy steel	Zinc chromate	7	Guard	Aluminum alloy	Chromate
3	Coil spring	Steel		8	Magnet	Plastic	
4	Stopper	ø6: stainless steel ø8 to 25: aluminum alloy		9	E ring	ø6 to 12: stainless steel ø16 to 25: steel	
5	Cushion rubber	Urethane rubber					

Dimensions (bore size: $\phi 6$)

● LCR-6

Stroke length: 10, 20, 30

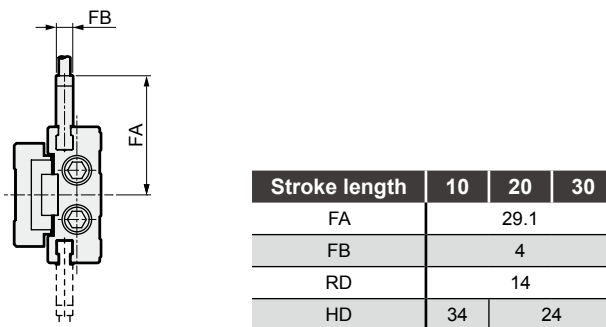
(The main body fixing holes in this drawing is for 20 mm stroke.)



Dimensions table for each stroke length

Stroke length	10	20	30
L1	66	76	
L2	58	68	
V	48.5	58.5	
W	25.5	35.5	
X	28.5	26	
Y	45.5	43	
RD	15		
HD	33	23	

● Dimensions of projection when cylinder switch F2S or F3S is installed.



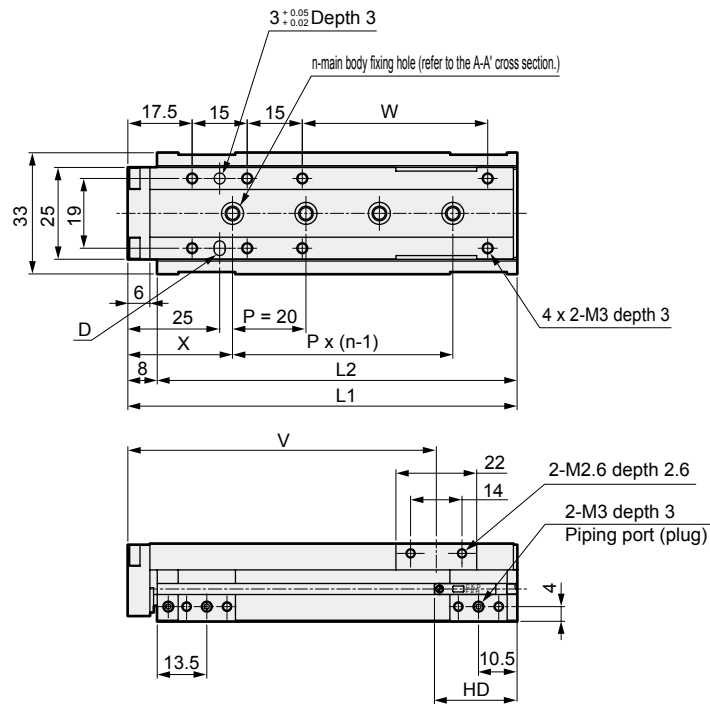
Note 1: When using the dowel hole, a pin with the dimension for press fit must not be used. Recommended tolerance for the pin is JIS tolerance m6 or less.

Dimensions (bore size: $\phi 6$)

● LCR-6

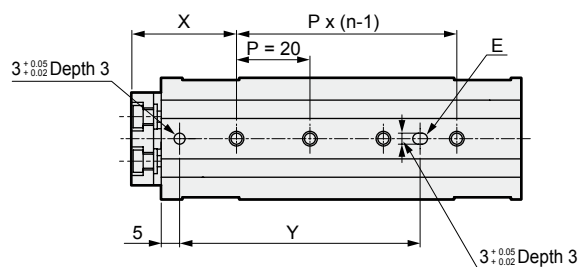
Stroke length: 40, 50

(The main body fixing holes in this drawing is for 50 mm stroke.)

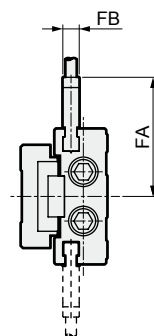


Dimensions table for each stroke length

Stroke length	40	50
L1	96	106
L2	88	98
n	3	4
V	74	84
W	40.5	50.5
X	27	28.5
Y	44	65.5
RD	15	
HD	23	



● Dimensions of projection when cylinder switch F2S or F3S is installed.



Stroke length	40	50
FA	29.1	
FB	4	
RD	14	
HD	24	

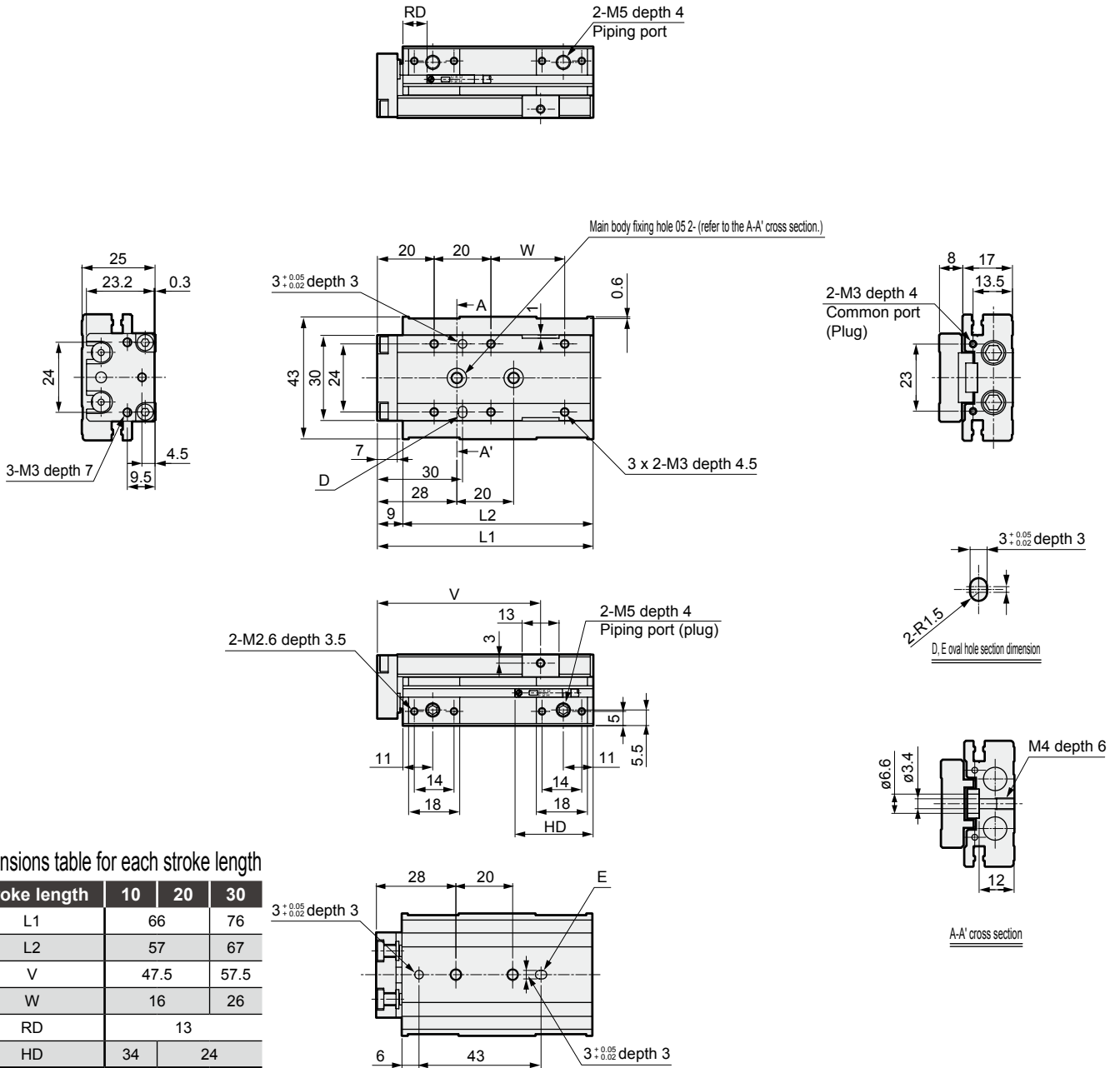
Note 1: When using the dowel hole, a pin with the dimension for press fit must not be used. When using the dowel hole, a pin with the dimension for press fit must not be used. Recommended tolerance of the pin is JIS tolerance m6 or less.

Dimensions (bore size: $\varnothing 8$)

● LCR-8

Stroke length: 10, 20, 30

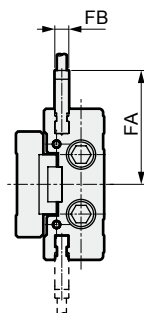
(The main body fixing holes in this drawing is for 30 mm stroke.)



Dimensions table for each stroke length

Stroke length	10	20	30
L1	66	76	
L2	57	67	
V	47.5	57.5	
W	16	26	
RD	13		
HD	34	24	

● Dimensions of projection when cylinder switch F2S or F3S is installed.



Stroke length	10	20	30
FA	32.6		
FB	4		
RD	12		
HD	35	25	

Note 1: When using the dowel hole, a pin with the dimension for press fit must not be used.

Recommended tolerance for the pin is JIS tolerance m6 or less.

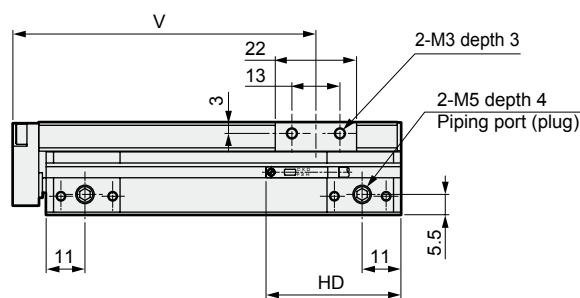
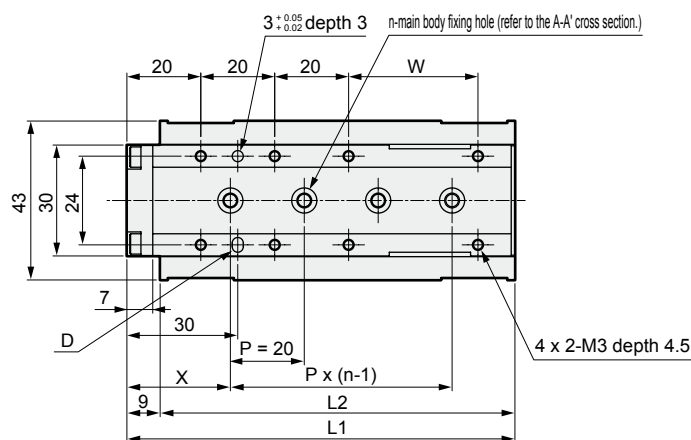
Note 2: Read the precautions on (1. Common ; piping) on intro 4 when using rear piping.

Dimensions (bore size: $\varnothing 8$)

● LCR-8

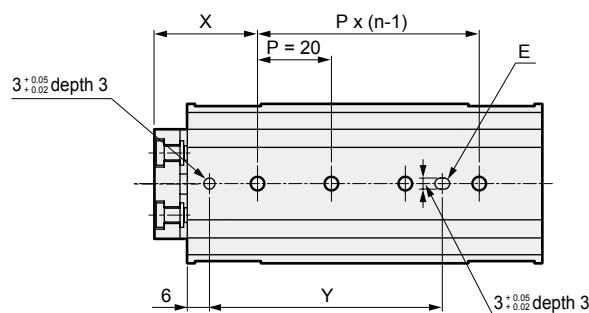
Stroke length: 40, 50, 75

(The main body fixing holes in this drawing is for 50 mm stroke.)

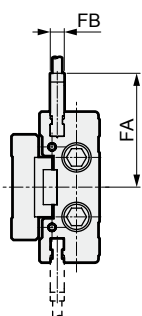


Dimensions table for each stroke length

Stroke length	40	50	75
L1	95	105	130
L2	86	96	121
n	3	4	5
V	72	82	107
W	25	35	60
X	26.5	28	25
Y	41.5	63	80
RD	13		
HD	33		



● Dimensions projection when cylinder switch F2S or F3S is installed.



Stroke length	40	50	75
FA	32.6		
FB	4		
RD	12		
HD	34		

Note 1: When using the dowel hole, a pin with the dimension for press fit must not be used.

Recommended tolerance for the pin is JIS tolerance m6 or less.

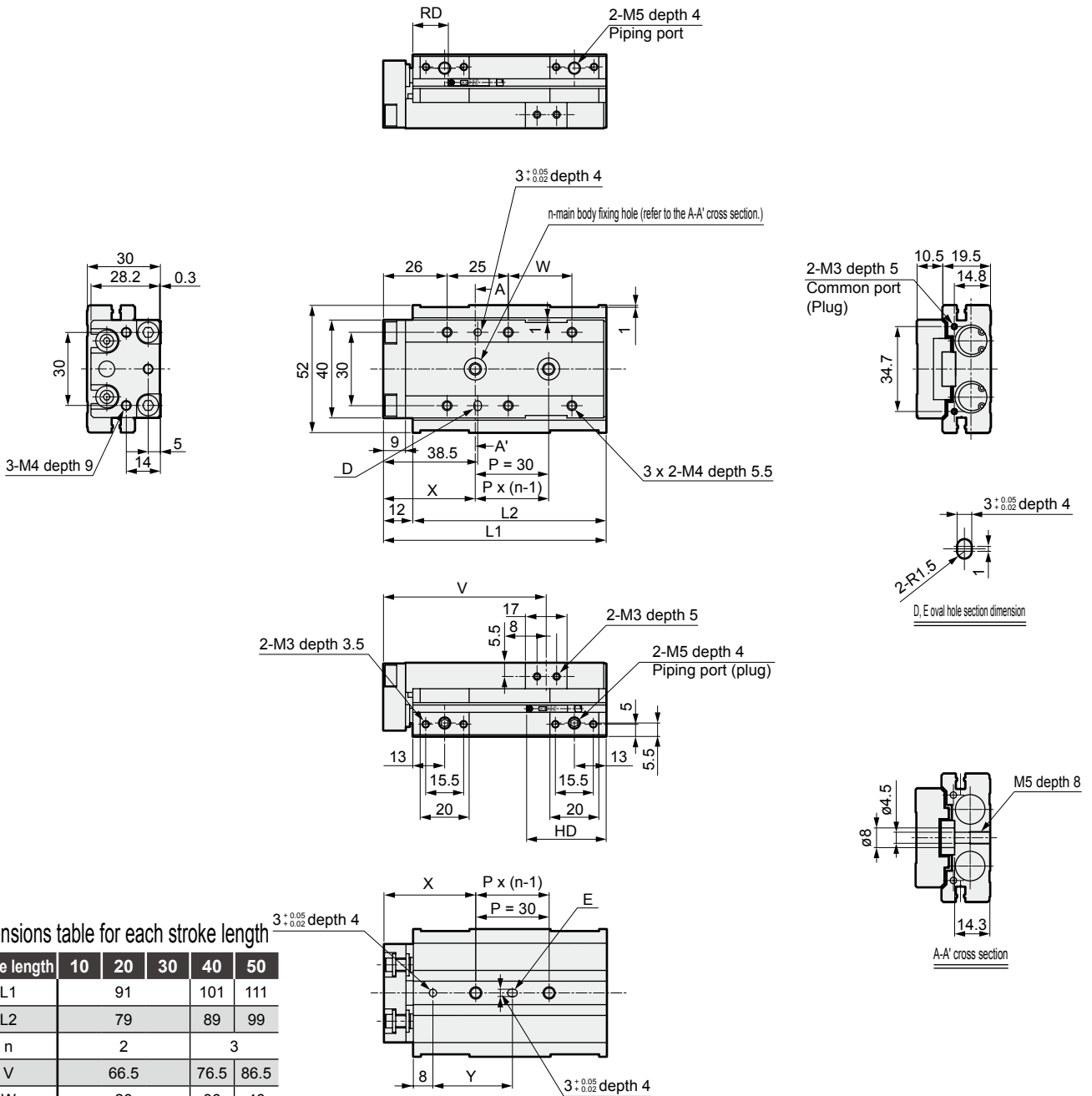
Note 2: Read the precautions on [1. Common ; piping](#) on intro 4 when using rear piping.

Dimensions (bore size: $\phi 12$)

● LCR-12

Stroke length: 10, 20, 30, 40, 50

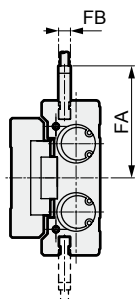
(The main body fixing holes in this drawing is for 30 mm stroke.)



Dimensions table for each stroke length

Stroke length	10	20	30	40	50
L1	91	101	111		
L2	79	89	99		
n	2		3		
V	66.5	76.5	86.5		
W	26	36	46		
X	37.5	36	32		
Y	32.5	31	57		
RD	16.5				
HD	52.5	42.5	32.5		

● Dimensions of projection when cylinder switch F2S or F3S is installed.



Stroke length	10	20	30	40	50
FA			37.8		
FB			4		
RD			15.5		
HD	53.5	43.5	33.5		

Note 1: When using the dowel hole, a pin with the dimension for press fit must not be used.
Recommended tolerance for the pin is JIS tolerance m6 or less.

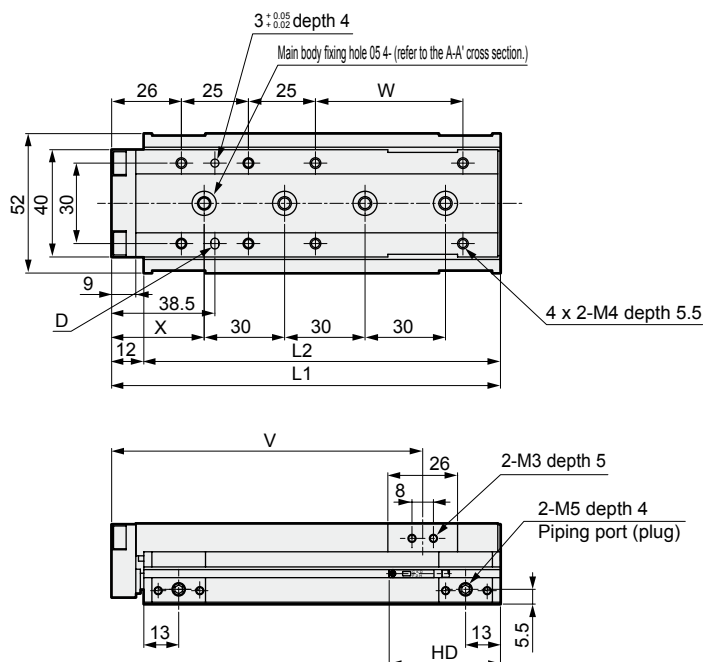
Note 2: Read the precautions on (1. Common ; piping) on intro 4 when using rear piping.

Dimensions (bore size: $\phi 12$)

● LCR-12

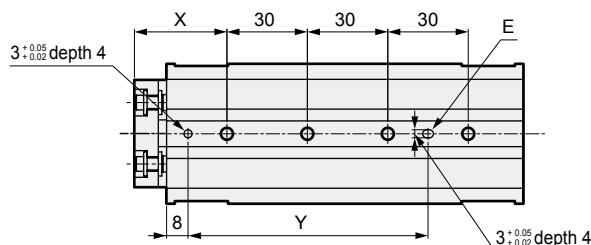
Stroke length: 75, 100

(The main body fixing holes in this drawing is for 100 mm stroke.)

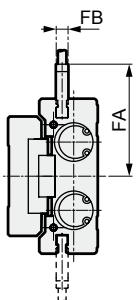


Dimensions table for each stroke length

Stroke length	75	100
L1	145	170
L2	133	158
V	116	141
W	55	80
X	34.5	47
Y	89.5	102
RD	16.5	
HD	41.5	



● Dimensions of projection when cylinder switch F2S or F3S is installed.



Stroke length	75	100
FA	37.8	
FB	4	
RD	15.5	
HD	42.5	

Note 1: When using the dowel hole, a pin with the dimension for press fit must not be used.

Recommended tolerance for the pin is JIS tolerance m6 or less.

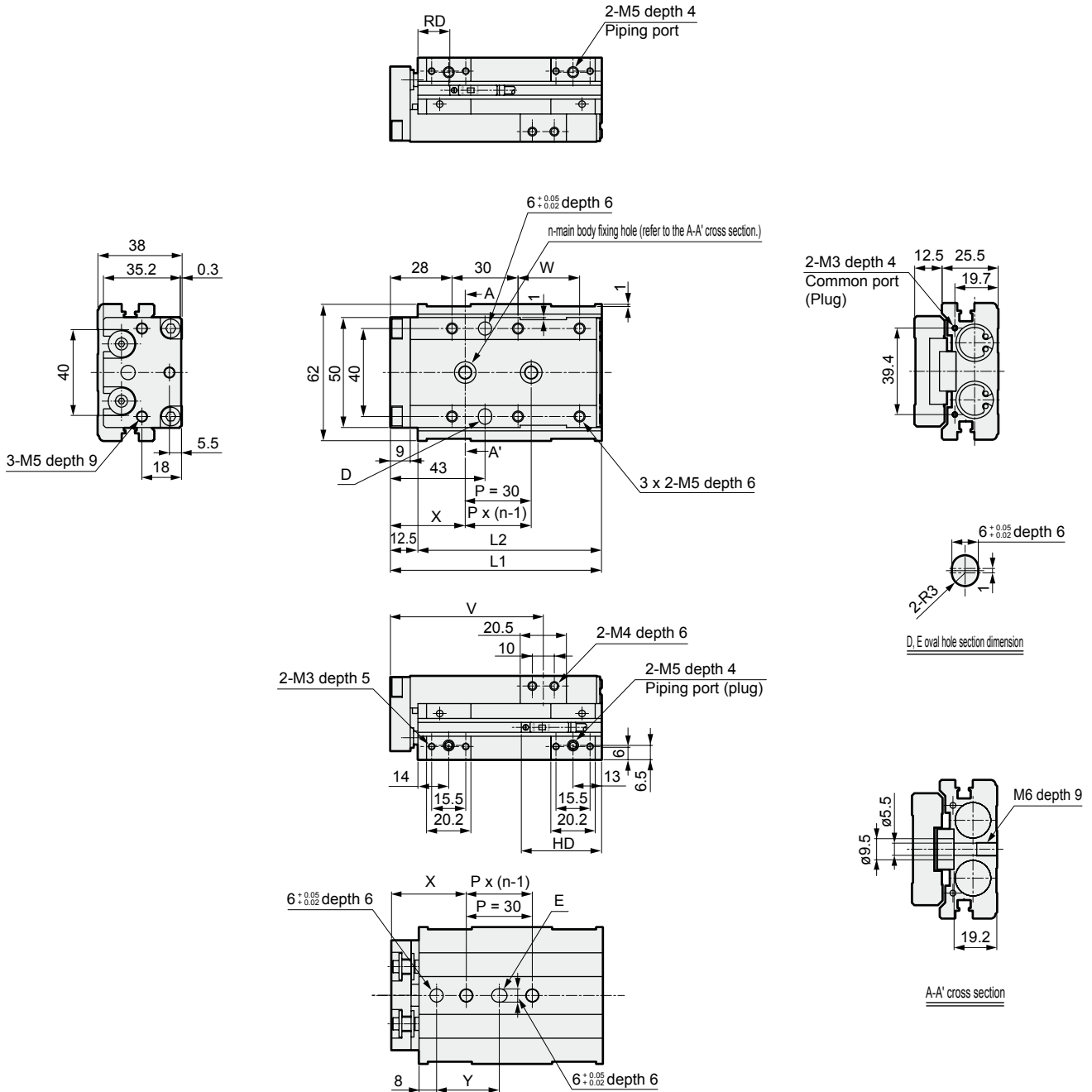
Note 2: Read the precautions on [1. Common ; piping](#) on intro 4 when using rear piping.

Dimensions (bore size: $\varnothing 16$)

● LCR-16

Stroke length: 10, 20, 30, 40, 50

(The main body fixing holes in this drawing is for 30 mm stroke.)



Dimensions table for each stroke length

Stroke length	10	20	30	40	50
L1		96	106	116	
L2		83.5	93.5	103.5	
n		2		3	
V		69.8	79.8	89.8	
W		28	38	48	
X		34	45.5	35.5	
Y		28.5	40	60	
T0/5*	RD	17			
T2/3*	HD	56.5	46.5	36.5	
T2/3W*	RD	19.5			
	HD	54	44	34	

Note 1: When using the dowel hole, a pin with the dimension for press fit must not be used.

Recommended tolerance for the pin is JIS tolerance m6 or less.

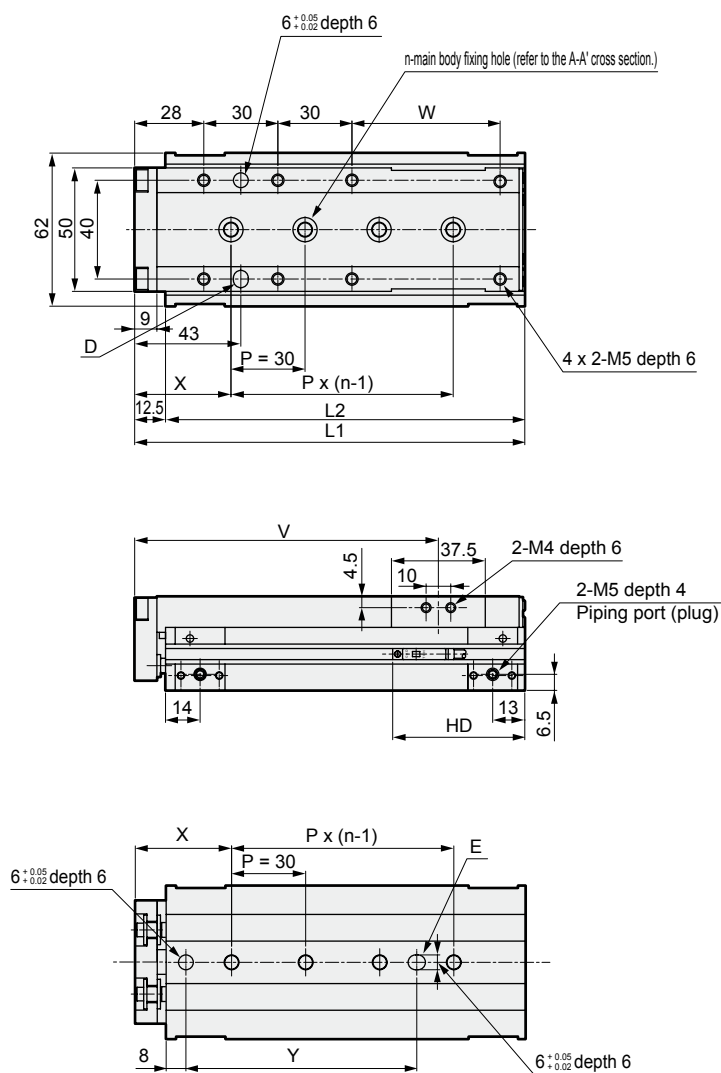
Note 2: Read the precautions on **1. Common piping** on intro 4 when using rear piping.

Dimensions (bore size: $\varnothing 16$)

● LCR-16

Stroke length: 75, 100, 125

(The main body fixing holes in this drawing is for 75 mm stroke.)



Dimensions table for each stroke length

Stroke length	75	100	125
L1	158	183	208
L2	145.5	170.5	195.5
n	4	5	
V	123.3	148.3	173.3
W	60	85	110
X	39	37	49
Y	93.5	121.5	133.5
T0/5*	RD	17	
T2/3*	HD	53.5	
T2/3W*	RD	19.5	
	HD	51	

Note 1: When using the dowel hole, a pin with the dimension for press fit must not be used.

Recommended tolerance for the pin is JIS tolerance m6 or less.

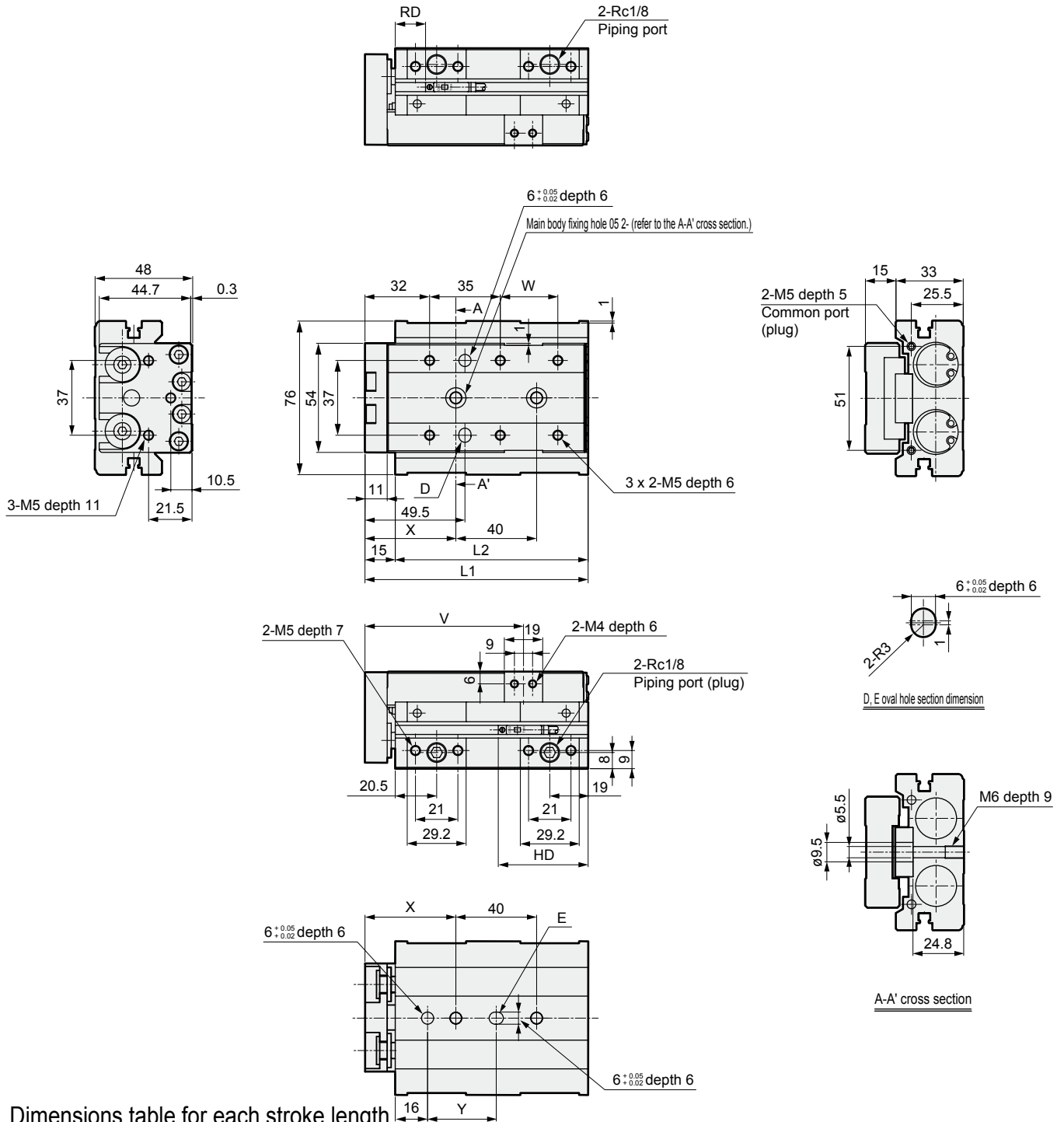
Note 2: Read the precautions on [1. Common ; piping](#) on intro 4 when using rear piping.

Dimensions (bore size: $\varnothing 20$)

● LCR-20

Stroke length: 10, 20, 30, 40, 50

(The main body fixing holes in this drawing is for 30 mm stroke.)



Dimensions table for each stroke length

Stroke length	10	20	30	40	50
L1		110.5	120.5	130.5	
L2		95.5	105.5	115.5	
V		78.5	88.5	98.5	
W		28.5	38.5	48.5	
X		45	51	49	
Y		34	40	38	
T0/5*	RD	20.5			
T2/3*	HD	65	55	45	
T2/3W*	RD	22			
	HD	63	53	43	

Note 1: When using the dowel hole, a pin with the dimension for press fit must not be used.

Recommended tolerance for the pin is JIS tolerance m6 or less.

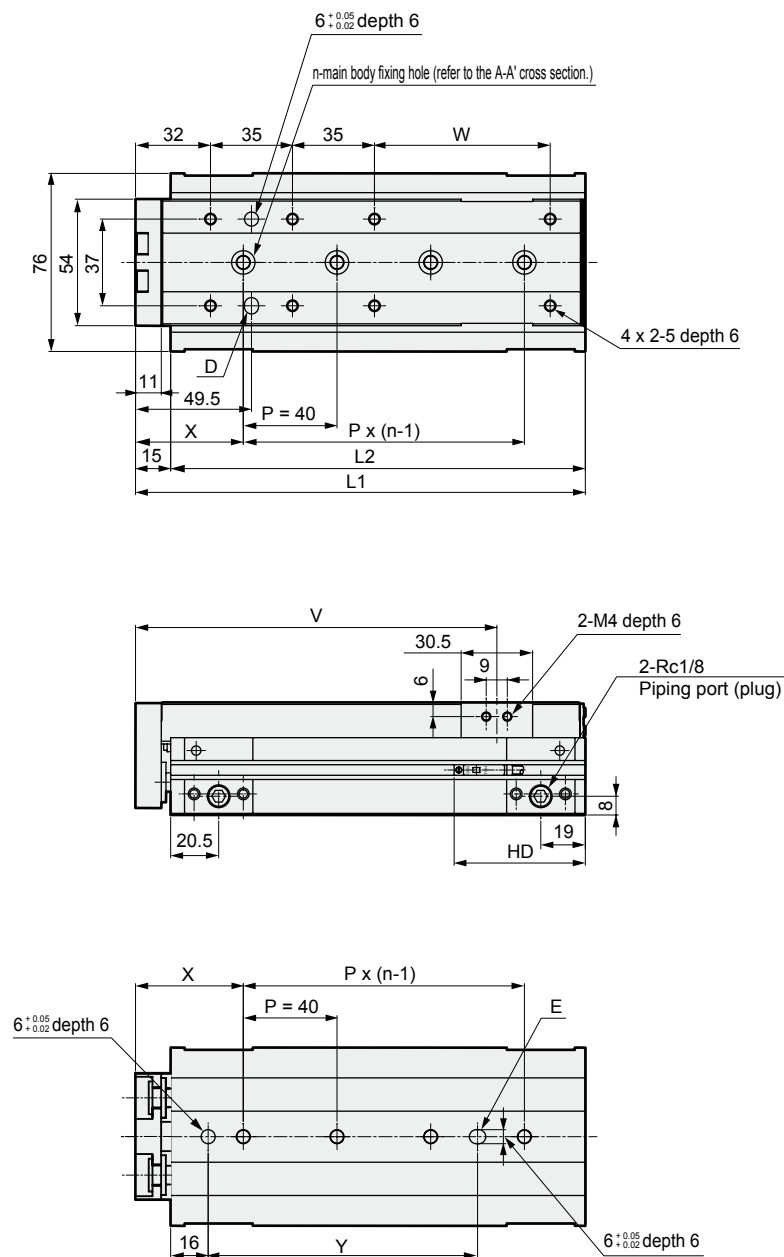
Note 2: Read the precautions on **1. Common ; piping** on intro 4 when using rear piping.

Dimensions (bore size: $\varnothing 20$)

● LCR-20

Stroke length: 75, 100, 125, 150

(The main body fixing holes in this drawing is for 100 mm stroke.)



Dimensions table for each stroke length

Stroke length	75	100	125	150
L1	167	192	217	242
L2	152	177	202	227
n	3	4	5	
V	129.3	154.3	179.3	204.3
W	50	75	100	125
X	46	53	51	
Y	75	115	122	160
T0/5*	RD	20.5		
	HD	57.5		
T2/3*	RD	22		
	HD	55.5		

Note 1: When using the dowel hole, a pin with the dimension for press fit must not be used.
Recommended tolerance for the pin is JIS tolerance m6 or less.

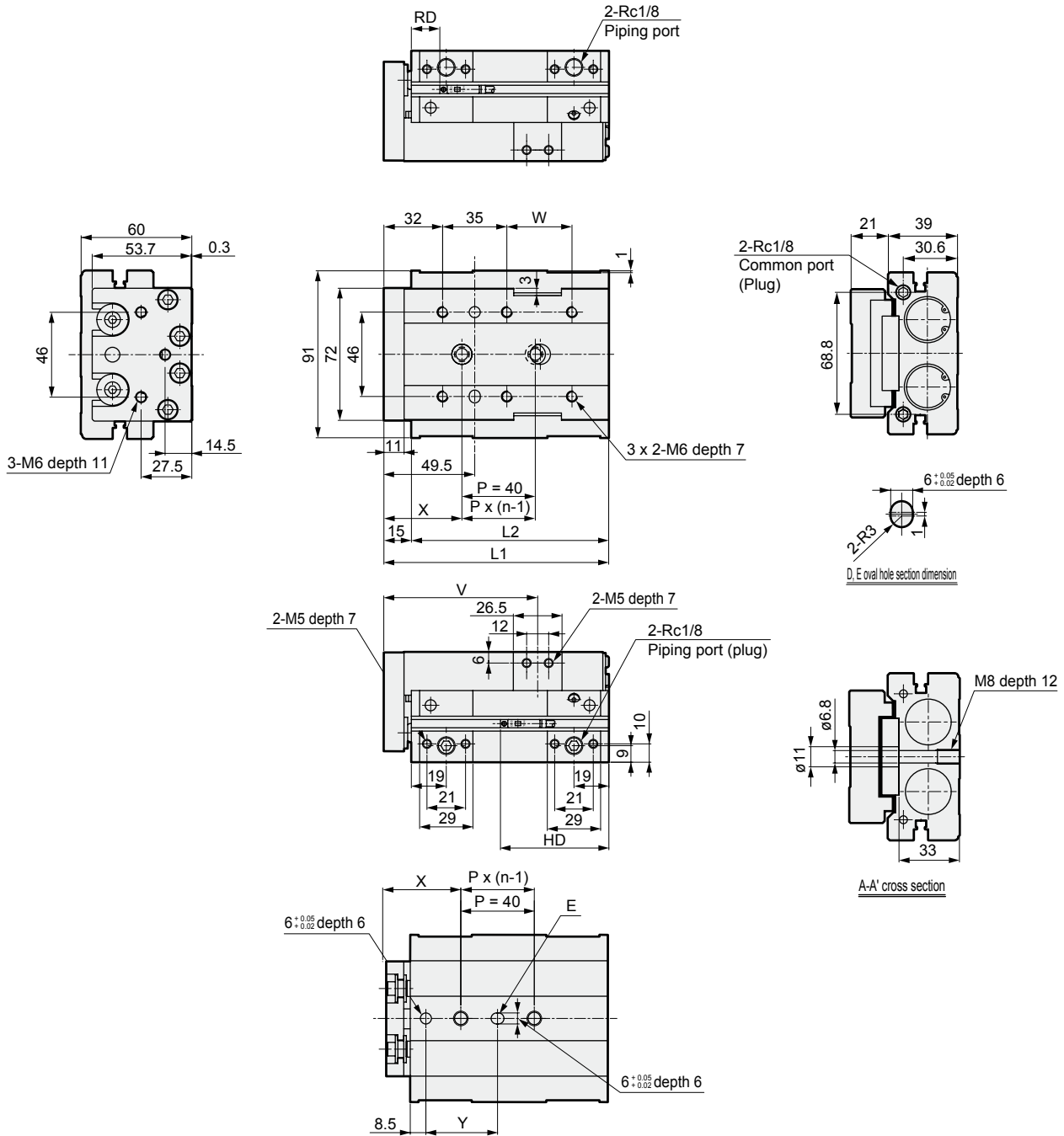
Note 2: Read the precautions on **1. Common ; piping** on intro 4 when using rear piping.

Dimensions (bore size: $\varnothing 25$)

● LCR-25

Stroke length: 10, 20, 30, 40, 50

(The main body fixing holes in this drawing is for 30 mm stroke.)



Dimensions table for each stroke length

Stroke length	10	20	30	40	50
L1		122.5	132.5	142.5	
L2		107.5	117.5	127.5	
n		2	3	2	
V		83.8	93.8	103.8	
W		35.5	45.5	55.5	
X		42.5	45.5	60.5	
Y		39	42	57	
T0/5*	RD	19			
T2/3*	HD	78.5	68.5	58.5	
T2/3W*	RD	21			
	HD	76.5	66.5	56.5	

Note 1: When using the dowel hole, a pin with the dimension for press fit must not be used.

Recommended tolerance for the pin is JIS tolerance m6 or less.

Note 2: Read the precautions on

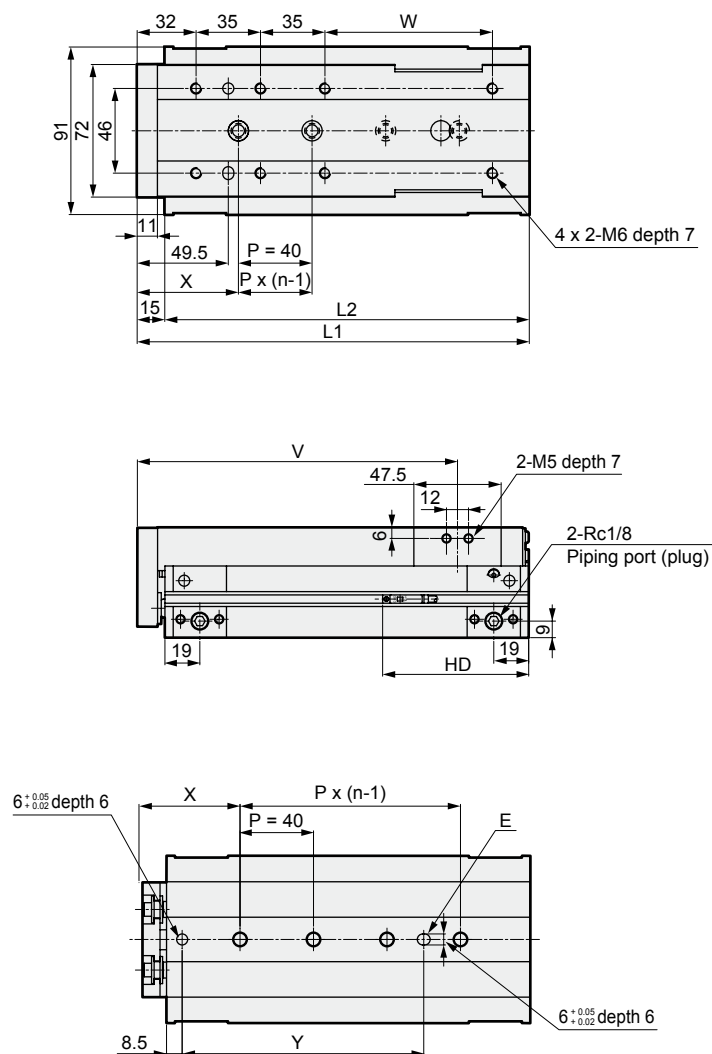
1. Common ; piping on intro 4 when using rear piping.

Dimensions (bore size: $\varnothing 25$)

● LCR-25

Stroke length: 75, 100, 125, 150

(The main body fixing holes in this drawing is for 100 mm stroke.)



Dimensions table for each stroke length

Stroke length	75	100	125	150
L1	188	213	238	263
L2	173	198	223	248
n	3	4	5	
V	138.8	163.8	188.8	213.8
W	66	91	116	141
X	60	55	45	60
Y	96.5	131.5	161.5	176.5
T0/5*	RD	19		
	HD	79		
T2/3*	RD	21		
	HD	77		

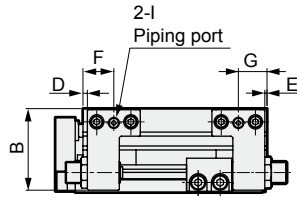
Note 1: When using the dowel hole, a pin with the dimension for press fit must not be used.

Recommended tolerance for the pin is JIS tolerance m6 or less.

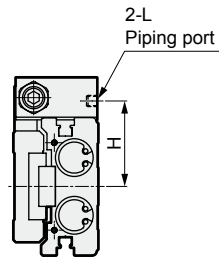
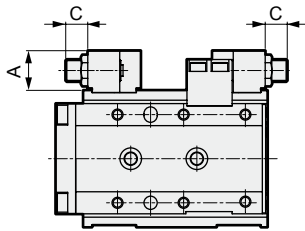
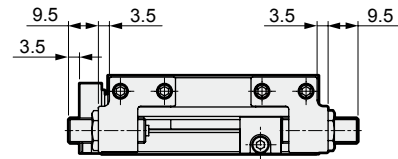
Note 2: Read the precautions on **1. Common ; piping** on intro 4 when using rear piping.

Dimensions: Options

● Stopper for adjustable stroke (S1 to S6)

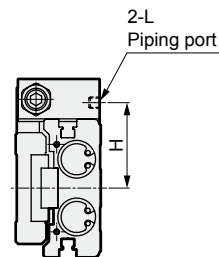
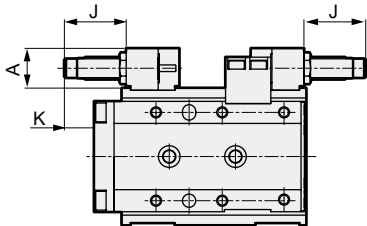
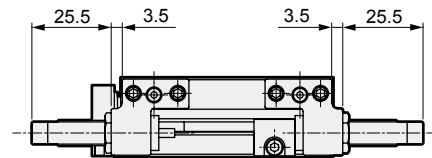
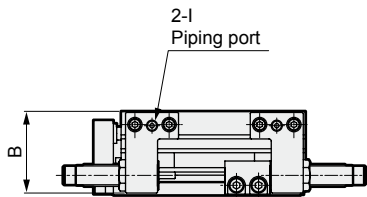


• For ø8



● Shock absorber type stopper (A1 to A6)

• For ø8



Note 1: The dimensions of F, H, L are only for when there is a stopper section port (*S*D, A*D)

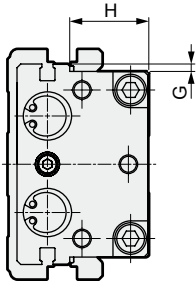
Note 2: The adjustable stroke range of the stopper for adjustable stroke is 5mm per side.

Note 3: For position locking function type, S3** to S6** and A3** to A6** are not available.

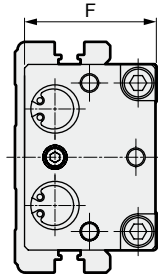
Symbol	A	B	C	D	E	F	G	H	I	J	K	L	Shock absorber type stopper Adjustable stroke range (single)
ø6	14	19.5	11	4	1	13.5	10.5	24	M3 depth 3	21	9	M3 depth 3	9
ø8	15.6	24.5	9.5	0.5	0.5	10.5	10.5	27.3	M5 depth 4	25.5	16	M5 depth 4	17
ø12	15.5	29	12	1	1	13	13	31	M5 depth 4	25.5	12.5	M5 depth 4	14.5
ø16	18	37	10	2	1	14	13	39	M5 depth 4	28.5	14	M5 depth 4	15
ø20	20.5	45	14.5	4	2.5	20.5	19	46	Rc1/8	29.5	10.5	M5 depth 4	13
ø25	20.5	57	11.5	2.5	2.5	19	19	54.5	Rc1/8	26.5	9	M5 depth 4	10

Dimensions: Option

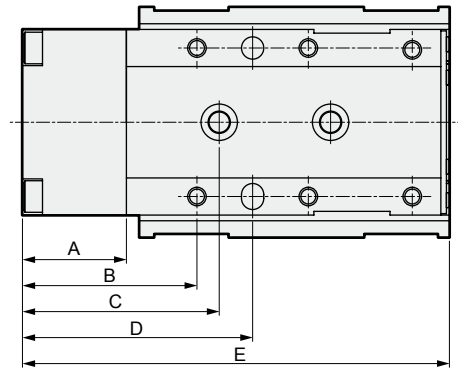
● With buffer (B and BL)



Option symbol: BL



Option symbol: B

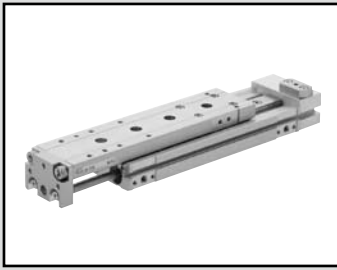


Symbol	A	B	C										D
			Stroke length (mm)										
			10	20	30	40	50	75	100	125	150		
ø6	22.5	34	45	45	42.5	43.5	45	-	-	-	-	41.5	
ø8	21.5	34.5	42.5	42.5	42.5	41	42.5	39.5	-	-	-	44.5	
ø12	27	44	55.5	55.5	55.5	54	50	52.5	65	-	-	56.5	
ø16	28	47	53	53	53	64.5	54.5	58	56	68	-	62	
ø20	31	52	65	65	65	71	69	66	66	73	71	69.5	
ø25	34	55	65.5	65.5	65.5	68.5	83.5	83	78	68	83	72.5	

Symbol	E										F	G	H
	Stroke length (mm)												
	10	20	30	40	50	75	100	125	150				
ø6	82.5	82.5	92.5	112.5	122.5	-	-	-	-	20	3	11	
ø8	80.5	80.5	90.5	109.5	119.5	144.5	-	-	-	23.5	3	13.5	
ø12	109	109	109	119	129	163	188	-	-	29	3	16	
ø16	115	115	115	125	135	177	202	227	-	35.5	1	21.5	
ø20	130.5	130.5	130.5	140.5	150.5	187	212	237	262	45.5	4	24.5	
ø25	145.5	145.5	145.5	155.5	165.5	211	236	261	286	56	4.5	31	

Note 1: Dimensions not indicated are the same as basic type.

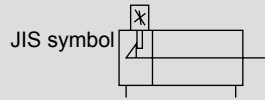
Note 2: Read the precautions on [1. Common ; piping](#) on intro 4 when using rear piping.



Linear slide cylinder Double acting position locking type

LCR-Q Series

● Bore size: $\varnothing 8$, $\varnothing 12$, $\varnothing 16$, $\varnothing 20$, $\varnothing 25$



Specifications

Descriptions		LCR-Q				
Bore size	mm	$\varnothing 8$	$\varnothing 12$	$\varnothing 16$	$\varnothing 20$	$\varnothing 25$
Actuation		Double acting				
Working fluid		Compressed air				
Max. working pressure	MPa	0.7				
Min. working pressure	MPa	0.15				
Withstanding pressure	MPa	1				
Ambient temperature	°C	-10 to 60 (no freezing)				
Port size	Body side surface	M5			Rc1/8	
	Rear body	None				
Stroke tolerance	mm	+ 2.0 0 (Note 1)				
Working piston speed	mm/s	50 to 500				
Cushion		Rubber cushioned				
Position locking mechanism		Head end				
Holding force	N	Theoretical thrust x 0.7 at PULL (0.7MPa)				
Lubrication		Not required (when lubricating, use turbine oil Class 1 ISOVG 32.)				
Allowable energy absorption	J	Refer to the table 3 on Page 49.				

Note 1: There will be a slight gap between the end plate and floating bush if used without a stopper.

Stroke length

Bore size (mm)	Standard stroke length (mm)
$\varnothing 8$	10, 20, 30, 40, 50, 75
$\varnothing 12$	10, 20, 30, 40, 50, 75, 100
$\varnothing 16$	10, 20, 30, 40, 50, 75, 100, 125
$\varnothing 20$	10, 20, 30, 40, 50, 75, 100, 125, 150
$\varnothing 25$	10, 20, 30, 40, 50, 75, 100, 125, 150

Note: Stroke length other than the ones listed above is not available.

Specifications with buffer

Specifications other than below are the same as the above common specifications.

Descriptions		LCR-Q with buffer				
Bore size	mm	$\varnothing 8$	$\varnothing 12$	$\varnothing 16$	$\varnothing 20$	$\varnothing 25$
Buffer stroke	mm	4	9		10	
Buffer section	When set N	5	10	13	17	21
	Operation N	8	14	20	25	29

Note 1: If the rod side stroke is adjusted with the buffer, the buffer stroke will be shortened as much as the stroke that has been adjusted, and the buffer section spring load will increase during setting.

Note 2: Use buffer stroke below the stroke listed above. There is a risk of damage and malfunction.

Switch specifications

* T0/T5 switches can be used under 220VAC
Consult CKD for working conditions

- 1 color/2 color indicator

Descriptions	Reed 2 wire				Proximity 2 wire		Proximity 3 wire	
	T0H/T0V		T5H/T5V		T2H/T2V	T2WH/T2WV	T3H/T3V	T3WH/T3WV
Applications	Programmable controller and relay		Programmable controller, relay IC circuit (w/o light), serial connection		Programmable controller		Programmable controller and relay	
Output method	-		-		-		NPN output	
Power voltage	-		-		-		10 to 28 VDC	
Load voltage	12/24 VDC	110 VAC	5/12/24 VDC	110 VAC	10 to 30 VDC	24 VDC ±10%	30 VDC or less	
Load current	5 to 50mA	7 to 20mA	50mA or less	20mA or less	5 to 20mA		100mA or less	50mA or less
Light	LED (ON lighting)		Without indicator light		LED (ON lighting)	Red/green LED (ON lighting)	LED (ON lighting)	Red/green LED (ON lighting)
Leakage current	0mA				1mA or less		10 µA or less	

Descriptions	Proximity 2 wire		Proximity 3 wire		Proximity 2 wire		Proximity 3 wire	
	F2S		F3S		F2H/F2V	F2YH/F2YV	F3H/F3V	F3YH/F3YV
Applications	Programmable controller		Programmable controller and relay		Programmable controller		Programmable controller and relay	
Output method	-		NPN output		-		NPN output	
Power voltage	-		10 to 28 VDC		-		10 to 28 VDC	
Load voltage	10 to 30 VDC		30 VDC or less		10 to 30 VDC	24 VDC ±10%	30 VDC or less	
Load current	5 to 20mA		50mA or less		5 to 20mA		100mA or less	50mA or less
Light	Red LED (ON lighting)		Red LED (ON lighting)		LED (ON lighting)	Red/green LED (ON lighting)	LED (ON lighting)	Red/green LED (ON lighting)
Leakage current	1mA or less		10 µA or less		1mA or less		10 µA or less	

Cylinder weight

- Position locking type

(Unit: g)

Bore size (mm)	Basic type mm stroke (mm)								
	10	20	30	40	50	75	100	125	150
ø8	260	260	280	330	360	420	-	-	-
ø12	415	425	425	465	495	625	715	-	-
ø16	670	680	680	730	790	1,020	1,150	1,290	-
ø20	1,150	1,160	1,170	1,250	1,340	1,640	1,850	2,060	2,270
ø25	2,000	2,020	2,030	2,140	2,240	2,730	3,000	3,270	3,540

- Additional option

(Unit: g)

Bore size (mm)	Option, stopper symbol		With buffer
	S1·S2	A1·A2	B/BL
ø8	40	50	40
ø12	70	80	70
ø16	110	120	80
ø20	170	180	150
ø25	290	300	320

Secondary battery compatible specification

LCR-: ... - **P4***

- Structure that can be used in secondary battery manufacturing process.

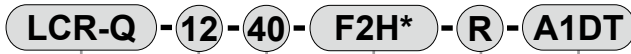
* Consult with CKD for details.

How to order

Without switch



With switch



Model no.

A Bore size

B Stroke length

D Switch quantity

E Switch model no.
Note 10

E Option

⚠ Note on model no. selection

- Note 1: Use stopper parts for the adjustable stroke on Page 6 when changing the adjustable stroke range.
- Note 2: When using a shock absorber, refer to the stopper dimensions table on page 21 for the adjustable stroke range.
- Note 3: Refer to stopper dimensions on page 21 for port locations.
- Note 4: The port position of standard type will be ① and ③ on the figure below when stoppers are not installed.
- Note 5: The stopper for adjustable stroke and shock absorber stopper combination is available as a customized part.
- Note 6: Selectable only when using a stopper.
- Note 7: Refer to page 27 when selecting switch for buffer section.
- Note 8: Refer to the selection table on page 26 for combinations of options.
- Note 9: For ø8 cylinders with 10mm stroke or ø12 to ø25 cylinders with 20mm stroke or less, custom order is applied because A1**, A2** can not be adjusted by a standard stopper.
- Note 10: F2S and F3S switches are shipped with the product. Consult our sales representative if you need it shipped with the switches installed.

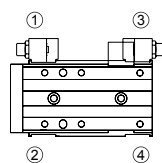
<Example of model number>

LCR-Q-12-40-F2H-R-A1DT

Model: Linear slide cylinder double acting/position locking type LCR-Q

- A Bore size : ø12
- B Stroke length : 40mm
- C Switch model no. : Proximity and 2 wire Axial lead wire
- D Switch quantity : 1 on rod end
- E Other options : Shock absorber type
Stopper position ①
Ports on side and bottom
Material, alloy steel (nitriding)

● Stopper position



Symbol	Descriptions
A Bore size	
8	ø8
12	ø12
16	ø16
20	ø20
25	ø25

		Bore size (ø)				
		8	12	16	20	25
B Stroke length (mm)	10	●	●	●	●	●
	20	●	●	●	●	●
	30	●	●	●	●	●
	40	●	●	●	●	●
	50	●	●	●	●	●
	75	●	●	●	●	●
	100		●	●	●	●
	125			●	●	●
	150				●	●

C Switch model no.						Bore size					
Axial lead wire	Radial lead wire	Contact	Indicator	Lead wire		ø8	ø12	ø16	ø20	ø25	
F2S		Proximity	1 color indicator	2-wire							
F3S				3-wire							
F2H*	F2V*			2-wire	●	●					
F3H*	F3V*			3-wire							
F2YH*	F2YV*			3-wire							
F3YH*	F3YV*			3-wire							
T0H*	T0V*	Reed	1 color indicator Without indicator	2-wire							
T5H*	T5V*										
T2H*	T2V*	Proximity	1 color indicator	2-wire			●	●	●		
T3H*	T3V*			3-wire							
T2WH*	T2WV*			2-wire							
T3WH*	T3WV*			3-wire							

* Lead wire length		Bore size				
Blank	1m (standard)					●
3	3m (option)					●
5	5m (option)					●

D Switch quantity	
R	1 on rod end
H	1 on head end
D	2

E Option	
Blank	No option

S stopper for adjustable stroke

Adjustable stroke single 5mm Note 1, Note 5, note 8

S1**	Stopper position ①	Stopper installation position
S2**	Stopper position ②	position

A shock absorber type stopper Note 2, Note 5, note 8

A1**	Stopper position ①	Stopper installation position
A2**	Stopper position ②	position

** section

Blank	Port at stopper section: no port
D	Port at stopper section: side surface and bottom side ports presence Note 3, Note 6
Blank	Stopper block material: Rolled steel
T	Stopper block material: Alloy steel (nitriding) Note 6
B with buffer Note 7, note 8	
B	Without switch groove
BL	With switch groove

LCR-Q position locking type combination availability table

(Combinations of stopper for adjustable stroke and shock absorber type stopper) ○: Combination available -: Combination not available

Model no. symbol	Option symbol		Stopper for adjustable stroke						Shock absorber type stopper					
	Bore size	Stroke length	S1	S2	S3	S4	S5	S6	A1	A2	A3	A4	A5	A6
LCR-Q LCR-Q-B and BL	ø8	10	○	○	-	-	-	-	-	-	-	-	-	-
		20 and over	○	○	-	-	-	-	○	○	-	-	-	-
	ø12 to ø25	10 to 20	○	○	-	-	-	-	-	-	-	-	-	-
		30 and over	○	○	-	-	-	-	○	○	-	-	-	-

Combination of option symbol "D: with stopper section port" and "T: alloy steel (nitriding)" follows the chart shown above.

How to order switch

For $\varnothing 8$ to $\varnothing 12$

SW - F2H

Switch model no.
(Page 25, section ©)

For $\varnothing 16$ to $\varnothing 25$

SW - T2H3

Switch model no.
(Page 25, section ©)

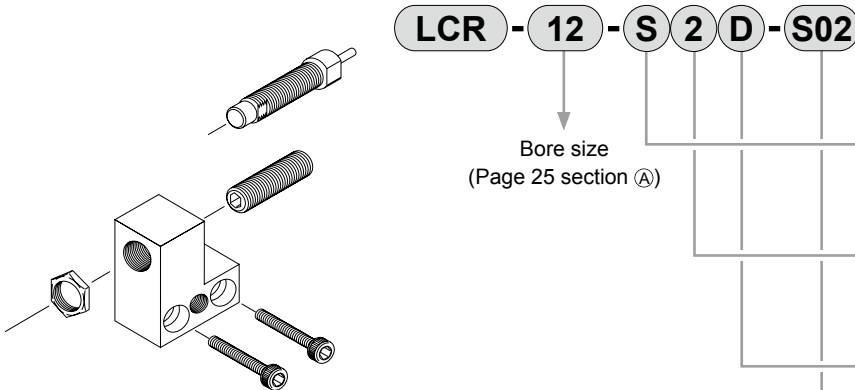
● Buffer

SW - F 2 V 3

Output type	
2	2 wire proximity DC
3	3 wire proximity DC
Radial lead wire	
Lead wire length	
Blank	1m (standard)
3	3m (option)

How to order stopper set

- Stopper section and stopper for adjustable stroke or shock absorber type stopper set
- Use when changing from standard to stopper for adjustable stroke or with shock absorber stopper



LCR - 12 - S 2 D - S02

Bore size
(Page 25 section ①)

A Stopper type	
S	Stopper for adjustable stroke
A	Shock absorber type stopper
B Stopper installation position Note 1	
1	For stopper position ① or ④
2	For stopper position ② or ③
C Port at stopper section	
Blank	No port
D	With side and bottom port
D Adjustable stroke length Note 2·Note 3	
Blank	Adjustable stroke range 5mm
S02	Adjustable stroke range 15mm
S03	Adjustable stroke range 25mm

Note 1: Refer to the chart below when attaching stopper on ① or ② because the stroke adjustment changes according to the stroke.

Note 2: "S03" can not be selected with $\varnothing 6$ or $\varnothing 8$.

Note 3: Can not be selected with shock absorber type stopper "A".

Precautions when ordering stopper set

SO1 is included as the stopper for adjustable stroke in the stopper for adjustable stroke set.
When installing on ①, ② (refer to page 25), add the parts on the right according to the stroke and stroke adjustment.

Model no. symbol	Option symbol		Discrete stopper for adjustable stroke		
			Adjusted stroke length (mm)		
	Bore size	Stroke length	-5	-15	-25
LCR-Q Series	$\varnothing 8$	10	S02	—	—
		20 and over	Not required additionally	S02	—
	$\varnothing 12$ to $\varnothing 25$	10	S03	—	—
		20	S02	S03	—
		30 and over	Not required additionally	S02	S03
		30 and over	Not required additionally	S02	S03

—: not available

How to order the discrete stopper for adjustable stroke

- Hexagon socket head set screw with urethane
- Use when changing the adjustable stroke range or setting to custom stroke length.



A Adjustable stroke range	
S01	Single 5mm (standard)
S02	Single 15mm
S03	Single 25mm

Specify the S01, S02, S03 at the (A) section.

Note: S03 is not available for $\phi 8$.

Depending on the type, the incompatible models or adjustable stroke ranges may differ from the above values.

Precautions when ordering discrete stopper

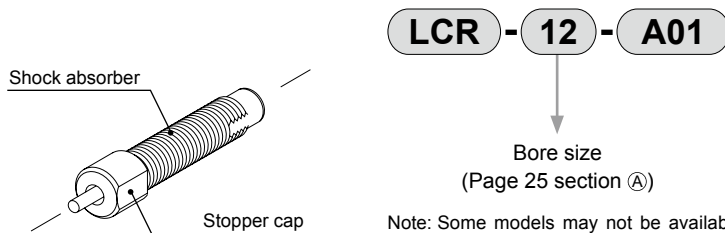
Please be warned that when installing discrete stopper for stroke adjustment, discrete shock absorber type stopper on positions ① and ② (refer to page 25), the available combination will be as shown on the right.

—: combination not available

Model no. symbol	Option symbol		Discrete stopper for adjustable stroke			Discrete shock absorber type stopper
			Adjusted stroke length (mm)			
	Bore size	Stroke length	-5	-15	-25	
LCR Series -S1, S2 -A1, A2	$\phi 8$	10	S02	—	—	—
		20 and over	S01	S02	—	A01
	$\phi 12$ to $\phi 25$	10	S03	—	—	—
		20	S02	S03	—	—
		30 and over	S01	S02	S03	A01

How to order the discrete shock absorber stopper

- Set of shock absorber and stopper cap
- Used when changing from shock absorber type stopper to stopper for adjustable stroke



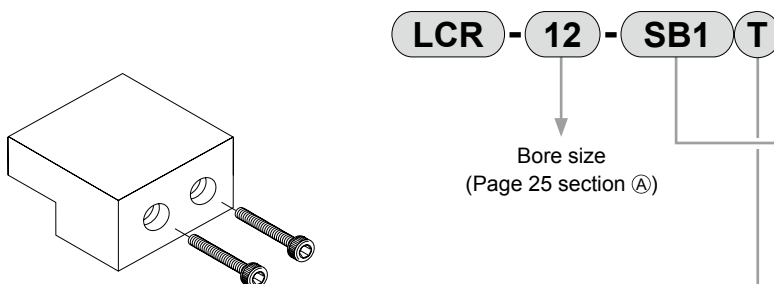
Note: Some models may not be available depending on the type. Refer to Page 25.
Refer to page 21 for the stroke adjustment range of shock absorber type stopper.

Applicable shock absorber model No.

Model	Shock absorber model no.
LCR-8	NCK-00-0.3
LCR-12	NCK-00-0.3
LCR-16	NCK-00-0.7
LCR-20	NCK-00-1.2
LCR-25	NCK-00-1.2

Discrete stopper block model no. display

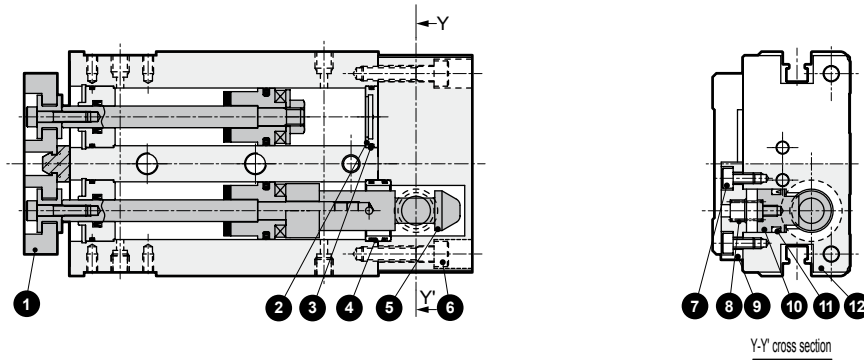
- Use when changing from standard to stopper for adjustable stroke or with shock absorber stopper



A Stopper block	
SB1	$\phi 8$: 30 mm stroke or less
	$\phi 12$ to $\phi 25$: 50 mm stroke or less
SB2	$\phi 8$: 40 mm stroke and over
	$\phi 12$ to $\phi 25$: 75 mm stroke and over
B Material	
Blank	Stopper block material: Rolled steel
T	Stopper block material: Alloy steel (nitriding)

Internal structure and parts list

● LCR-Q



Parts list

No.	Parts name	Material	Remarks	No.	Parts name	Material	Remarks
1	End plate	Aluminum alloy	Alumite	7	Hexagon socket head cap bolt	Alloy steel	Zinc chromate
2	Guard	Aluminum alloy		8	Coil spring	Steel	
3	Gasket	Nitrile rubber		9	Stopper guard	Aluminum alloy	Alumite
4	Joint ring	ø8: stainless steel ø12 to 25: aluminum alloy	ø12 to 25: chromate	10	Stopper piston	Carbon steel	Nitriding
5	Sleeve	Carbon steel	Nitriding	11	Stopper packing seal	Nitrile rubber	
6	Hexagon socket head cap bolt	Alloy steel	Zinc chromate	12	Head cover	Aluminum alloy	Alumite

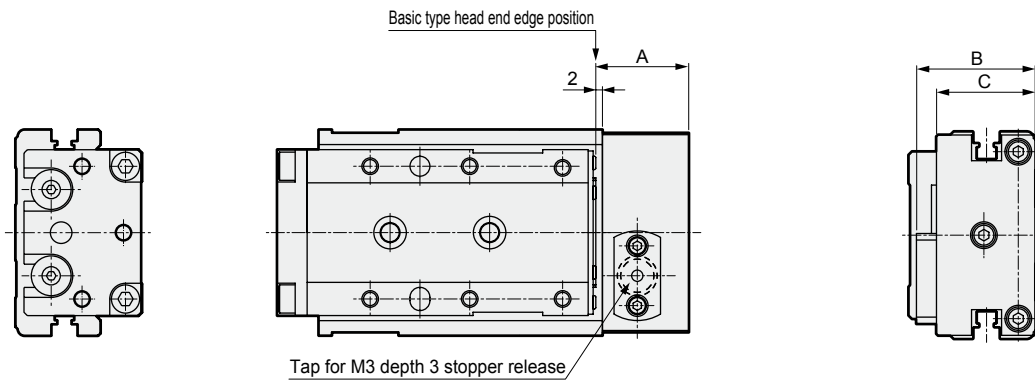
Repair parts list

Bore size (mm)	Kit No.	Repair parts number	
		Position locking unit repair parts	Basic unit repair parts
ø8	LCR-Q-8K		
ø12	LCR-Q-12K		
ø16	LCR-Q-16K	11	4 5 9 11 17 21
ø20	LCR-Q-20K		
ø25	LCR-Q-25K		

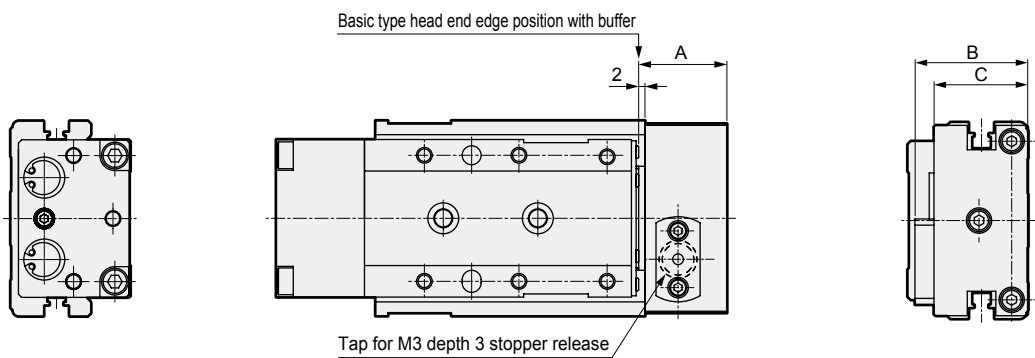
Note: Consumable parts for the base is compatible with the double acting, single rod type parts listed on page 7.

Dimensions

● LCR-Q

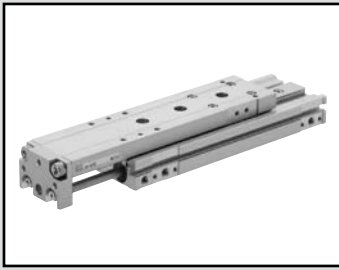


● LCR-Q-*-B (with buffer)



Symbol	A	B	C
∅8	23	29.5	22
∅12	24.5	30.5	24.5
∅16	28	35.7	29.7
∅20	30	39	33
∅25	30	48	42

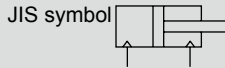
Note: Dimensions not listed above are the same as double acting single rod type.



Linear slide cylinder Double acting single rod type, clean room specifications

LCR-P7* Series

● Bore size: $\varnothing 6$, $\varnothing 8$, $\varnothing 12$, $\varnothing 16$, $\varnothing 20$, $\varnothing 25$



Specifications

Descriptions		LCR-P7*					
Bore size	mm	$\varnothing 6$	$\varnothing 8$	$\varnothing 12$	$\varnothing 16$	$\varnothing 20$	$\varnothing 25$
Actuation		Double acting					
Working fluid		Compressed air					
Max. working pressure	MPa	0.7					
Min. working pressure	MPa	0.15					
Withstanding pressure	MPa	1					
Ambient temperature	°C	-10 to 60 (no freezing)					
Port size	Body side surface	M3	M5			Rc1/8	
	Rear body	M3			M5	Rc1/8	
Relief port size		M3	M5			Rc1/8	
Stroke tolerance	mm	+ 2.0 0 (Note 1)					
Working piston speed	mm/s	50 to 500					
Cushion		Rubber cushioned					
Lubrication		Not available					
Allowable energy absorption	J	Refer to the table 3 on Page 49.					

Note 1: There will be a slight gap between the end plate and floating bush if used without a stopper.

Stroke length

Bore size (mm)	Standard stroke length (mm)
$\varnothing 6$	10, 20, 30, 40, 50
$\varnothing 8$	10, 20, 30, 40, 50, 75
$\varnothing 12$	10, 20, 30, 40, 50, 75, 100
$\varnothing 16$	10, 20, 30, 40, 50, 75, 100, 125
$\varnothing 20$	10, 20, 30, 40, 50, 75, 100, 125, 150
$\varnothing 25$	10, 20, 30, 40, 50, 75, 100, 125, 150

Note: Stroke length other than above is not available.

Switch specifications

* T0/T5 switches 220 VAC are also available.
Consult CKD for working conditions.

- 1 color/2 color indicator

Descriptions	Reed 2 wire				Proximity 2 wire		Proximity 3 wire	
	T0H/T0V		T5H/T5V		T2H/T2V	T2WH/T2WV	T3H/T3V	T3WH/T3WV
Applications	Programmable controller and relay		Programmable controller, relay IC circuit (w/o light), serial connection		Programmable controller		Programmable controller and relay	
Output method	-		-		-		NPN output	
Power voltage	-		-		-		10 to 28 VDC	
Load voltage	12/24 VDC	110 VAC	5/12/24 VDC	110 VAC	10 to 30 VDC	24 VDC ±10%	30 VDC or less	
Load current	5 to 50mA	7 to 20mA	50mA or less	20mA or less	5 to 20mA		100mA or less	50mA or less
Light	LED (ON lighting)		Without indicator light		LED (ON lighting)	Red/green LED (ON lighting)	LED (ON lighting)	Red/green LED (ON lighting)
Leakage current	0mA				1mA or less		10 µA or less	

Descriptions	Proximity 2 wire		Proximity 3 wire		Proximity 2 wire		Proximity 3 wire	
	F2S		F3S		F2H/F2V	F2YH/F2YV	F3H/F3V	F3YH/F3YV
Applications	Programmable controller		Programmable controller and relay		Programmable controller		Programmable controller and relay	
Output method	-		NPN output		-		NPN output	
Power voltage	-		10 to 28 VDC		-		10 to 28 VDC	
Load voltage	10 to 30 VDC		30 VDC or less		10 to 30 VDC	24 VDC ±10%	30 VDC or less	
Load current	5 to 20mA		50mA or less		5 to 20mA		100mA or less	50mA or less
Light	Red LED (ON lighting)				LED (ON lighting)	Red/green LED (ON lighting)	LED (ON lighting)	Red/green LED (ON lighting)
Leakage current	1mA or less		10 µA or less		1mA or less		10 µA or less	

Cylinder weight

- Clean room specifications

(Unit: g)

Bore size (mm)	Basic stroke length types (mm)								
	10	20	30	40	50	75	100	125	150
ø6	130	130	150	180	200	-	-	-	-
ø8	220	220	240	290	320	380	-	-	-
ø12	400	410	410	450	480	610	700	-	-
ø16	620	630	630	680	740	970	1,100	1,240	-
ø20	1,160	1,170	1,180	1,260	1,350	1,650	1,860	2,070	2,280
ø25	2,010	2,030	2,040	2,150	2,250	2,740	3,010	3,280	3,550

- Additional weight for variations/options (stopper)

(Unit: g)

Bore size (mm)	Option, stopper symbol	
	S1 to S4	S5/S6
ø6	30	40
ø8	40	60
ø12	70	100
ø16	110	150
ø20	170	250
ø25	290	380

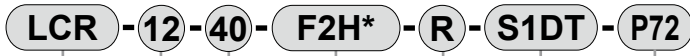
LCR-P7* Series

How to order

Without switch



With switch



Model no.

A Bore size

B Stroke length

C Switch model no.
Note 5

D Switch quantity

F Clean room specifications

E Option

⚠ Note on model no. selection

Note 1: Refer to stopper dimensions on page 21 for port locations.

Note 2: The port position of standard type will be ① and ③ on the figure below when stoppers are not installed.

Note 3: Selectable only when using a stopper.

Note 4: Select F□H type switch when using S**** ø6 to 8 under 30th with 2 switches.

Note 5: F2S and F3S switches are shipped with the product. Consult our sales representative if you need it shipped with the switches installed.

Note 6: Select by rear piping for use.

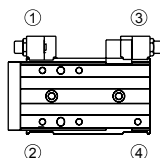
<Example of model number>

LCR-12-40-F2H*-R-S1DT-P72

Type: Linear slide cylinder Double acting, single rod type (clean specification) LCR-P7*

- A Bore size : ø12
- B Stroke length : 40mm
- C Switch model no. : Proximity, 2 wire Axial lead wire
- D Switch quantity : 1 on rod end
- E Other options : Stopper for adjustable stroke
Stopper position ①
Ports on side and bottom
Material, alloy steel (nitriding)
- F Clean room specifications: Exhaust treatment

● Stopper position



Symbol	Descriptions
A Bore size	
6	ø6
8	ø8
12	ø12
16	ø16
20	ø20
25	ø25

B Stroke length (mm)		Bore size (ø)					
		6	8	12	16	20	25
10	10	●	●	●	●	●	●
20	20	●	●	●	●	●	●
30	30	●	●	●	●	●	●
40	40	●	●	●	●	●	●
50	50	●	●	●	●	●	●
75	75		●	●	●	●	●
100	100			●	●	●	●
125	125				●	●	●
150	150					●	●

C Switch model no.											
Axial lead wire	Radial lead wire	Contact	Indicator	Lead wire	Bore size						
					ø6	ø8	ø12	ø16	ø20	ø25	
F2S		Proximity	1 color indicator	2-wire							
F3S				3-wire							
F2H*	F2V*			2-wire	●	●	●				
F3H*	F3V*			3-wire							
F2YH*	F2YV*			2-wire							
F3YH*	F3YV*			3-wire							
T0H*	T0V*	Reed	1 color indicator	2-wire							
T5H*	T5V*		Without indicator								
T2H*	T2V*		Proximity	1 color indicator	2-wire				●	●	●
T3H*	T3V*	3-wire									
T2WH*	T2WV*	2-wire									
T3WH*	T3WV*	3-wire									
Lead wire length											
Blank	1m (standard)										●
3	3m (option)										●
5	5m (option)										●

D Switch quantity		Bore size					
R	1 on rod end						●
H	1 on head end						●
D	2						●

E Option		Bore size					
Blank	No option						●

S stopper for adjustable stroke		Bore size					
Adjustable stroke single 5mm		Note 4					
S1**	Stopper position ① (changeable to ④)	Stopper installation position					●
S2**	Stopper position ② (changeable to ③)						●
S3**	Stopper position ③ (changeable to ②)						●
S4**	Stopper position ④ (changeable to ①)						●
S5**	Stopper position ① and ③						●
S6**	Stopper position ② and ④						●

** section		Bore size					
Blank	Port at stopper section: no port						●
D	Port at stopper section: side surface and bottom side ports presence						● Note 1, Note 3
Blank	Stopper block material: Rolled steel						●
T	Stopper block material: Alloy steel (nitriding)						● Note 3

Plug attached		Bore size					
Blank	None						
N	Port for side piping port attached (Not selectable for ø6 and ø25)						● Note 6

F Clean room specifications		Structure					
P72	Exhaust treatment						
P73	Vacuum treatment						

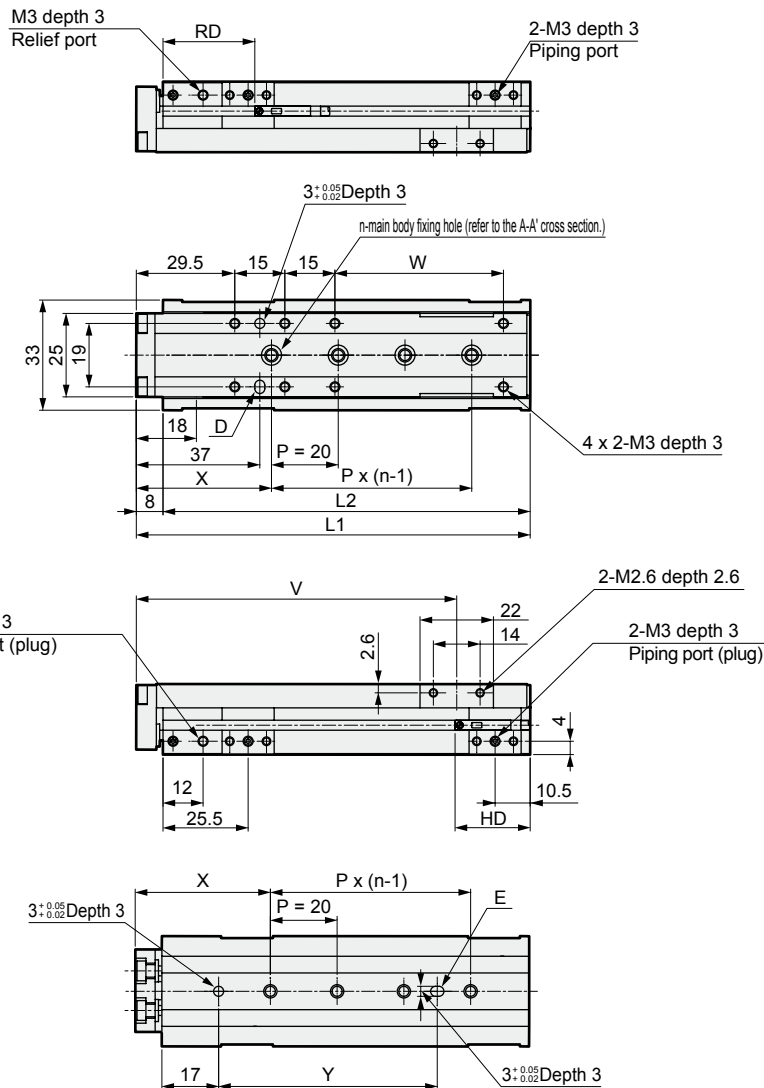
MEMO

Dimensions (bore size: $\phi 6$)

● LCR-6-P7*

Stroke length: 40, 50

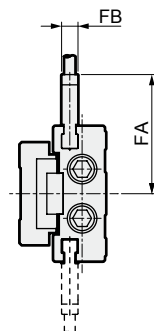
(The main body fixing holes in this drawing is for 50 mm stroke.)



Dimensions table for each stroke length

Stroke length	40	50
L1	108	118
L2	100	110
n	3	4
V	86	96
W	40.5	50.5
X	39	40.5
Y	44	65.5
RD	27	
HD	23	

● Dimensions of projection when cylinder switch F2S and F3S are installed.



Stroke length	40	50
FA	29.1	
FB	4	
RD	26	
HD	24	

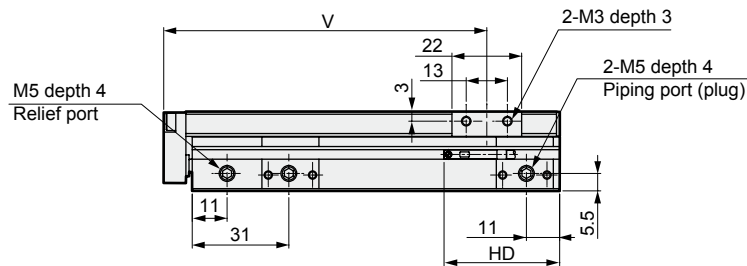
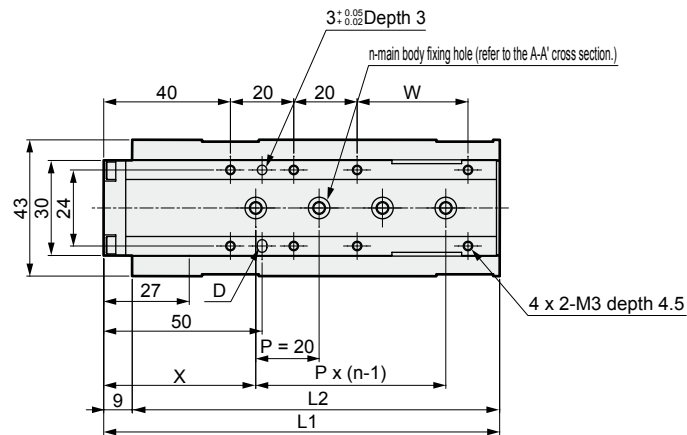
Note 1: When using the dowel hole, a pin with the dimension for press fit must not be used.
Recommended tolerance for the pin is JIS tolerance m6 or less.

Dimensions (bore size: $\varnothing 8$)

● LCR-8-P7*

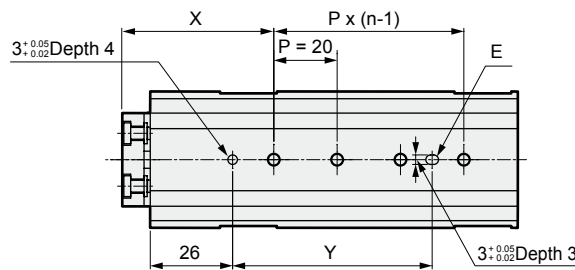
Stroke length: 40, 50, 75

(The main body fixing holes in this drawing is for 50 mm stroke.)

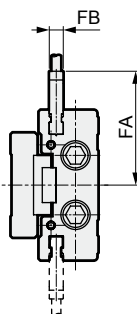


Dimensions table for each stroke length

Stroke length	40	50	75
L1	115	125	150
L2	106	116	141
n	3	4	5
V	92	102	127
W	25	35	60
X	46.5	48	45
Y	41.5	63	80
RD	33		
HD	33		



● Dimensions of projection when cylinder switch F2S or F3S is installed.



Stroke length	40	50	75
FA	32.6		
FB	4		
RD	32		
HD	34		

Note 1: When using the dowel hole, a pin with the dimension for press fit must not be used.

Recommended tolerance for the pin is JIS tolerance m6 or less.

Note 2: Read the precautions on [1. Common ; piping](#) on intro 4 when using rear piping.

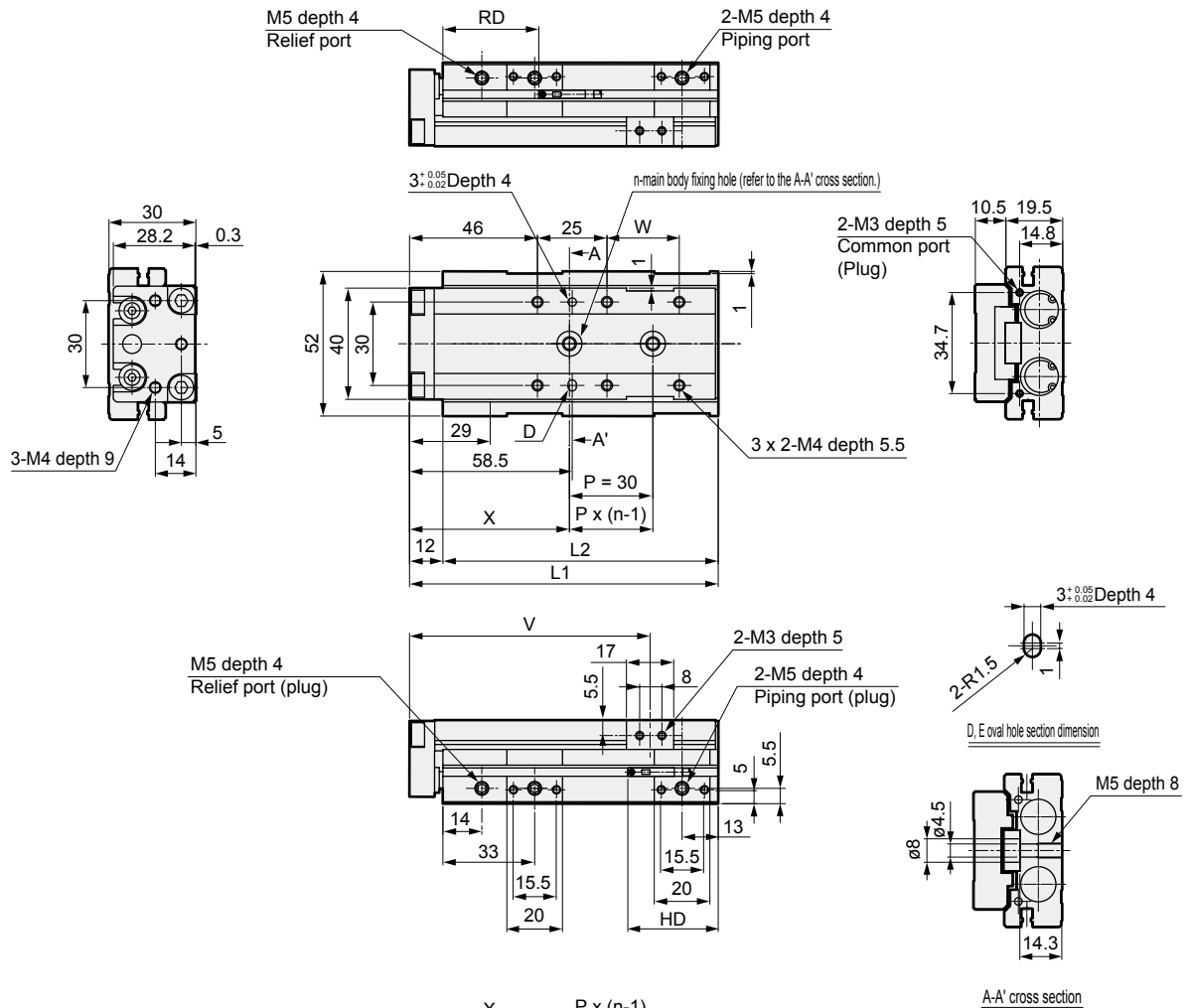
LCR-P7* Series

Dimensions (bore size: $\varnothing 12$)

● LCR-12-P7*

Stroke length: 10, 20, 30, 40, 50

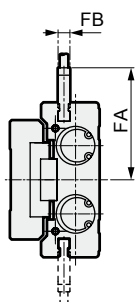
(The main body fixing holes in this drawing is for 30 mm stroke.)



Dimensions table for each stroke length

Stroke length	10	20	30	40	50
L1		111	121	131	
L2		99	109	119	
n		2	3		
V		86.5	96.5	106.5	
W		26	36	46	
X		57.5	56	52	
Y		32.5	31	57	
RD	36.5				
HD	52.5	42.5		32.5	

● Dimensions of projection when cylinder switch F2S or F3S is installed.



Stroke length	10	20	30	40	50
FA			37.8		
FB			4		
RD			35.5		
HD	53.5	43.5		33.5	

Note 1: When using the dowel hole, a pin with the dimension for press fit must not be used.

Recommended tolerance for the pin is JIS tolerance m6 or less.

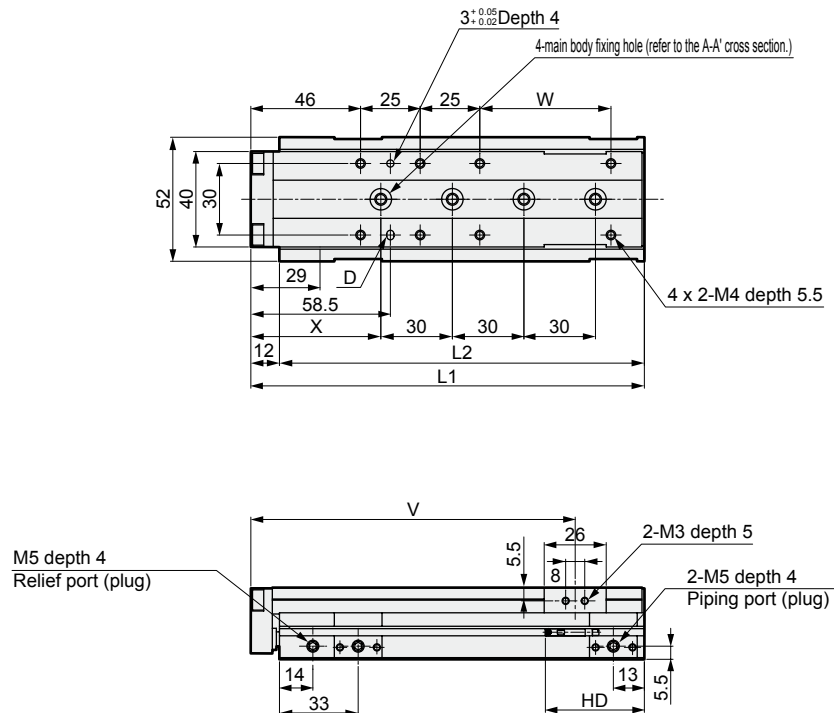
Note 2: Read the precautions on (1. Common ; piping) on intro 4 when using rear piping.

Dimensions (bore size: $\phi 12$)

● LCR-12-P7*

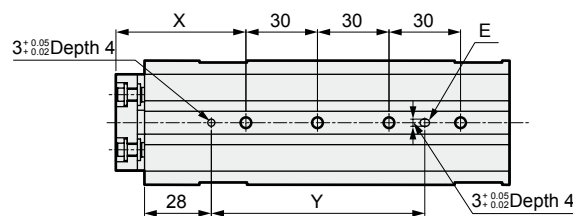
Stroke length: 75, 100

(The main body fixing holes in this drawing is for 100 mm stroke.)

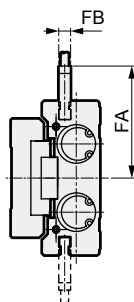


Dimensions table for each stroke length

Stroke length	75	100
L1	165	190
L2	153	178
V	136	161
W	55	80
X	54.5	67
Y	89.5	102
RD	36.5	
HD	41.5	



● Dimensions of projection when cylinder switch F2S or F3S is installed.



Stroke length	75	100
FA	37.8	
FB	4	
RD	35.5	
HD	42.5	

Note 1: When using the dowel hole, a pin with the dimension for press fit must not be used.

Recommended tolerance for the pin is JIS tolerance m6 or less.

Note 2: Read the precautions on [1. Common ; piping](#) on intro 4 when using rear piping.

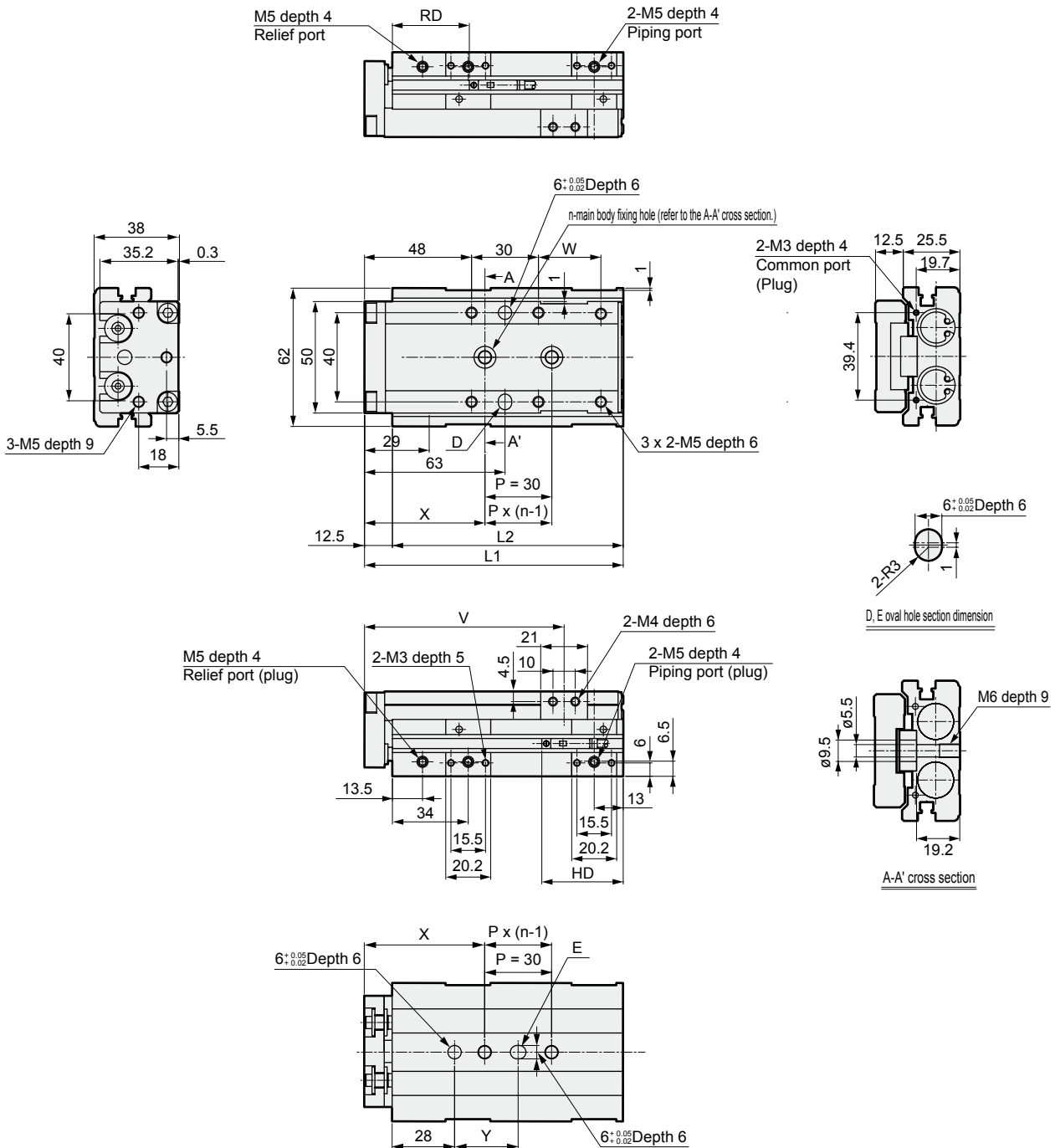
LCR-P7* Series

Dimensions (bore size: $\varnothing 16$)

● LCR-16-P7*

Stroke length: 10, 20, 30, 40, 50

(The main body fixing holes in this drawing is for 30 mm stroke.)



Dimensions table for each stroke length

Stroke length	10	20	30	40	50
L1		116	126	136	
L2		103.5	113.5	123.5	
n		2		3	
V		89.8	99.8	109.8	
W		28	38	48	
X		54	65.5	55.5	
Y		28.5	40	60	
T0/5*	RD	37			
T2/3*	HD	56.5	46.5	36.5	
T2/3W*	RD	39.5			
	HD	54	44	34	

Note 1: When using the dowel hole, a pin with the dimension for press fit must not be used.
Recommended tolerance for the pin is JIS tolerance m6 or less.

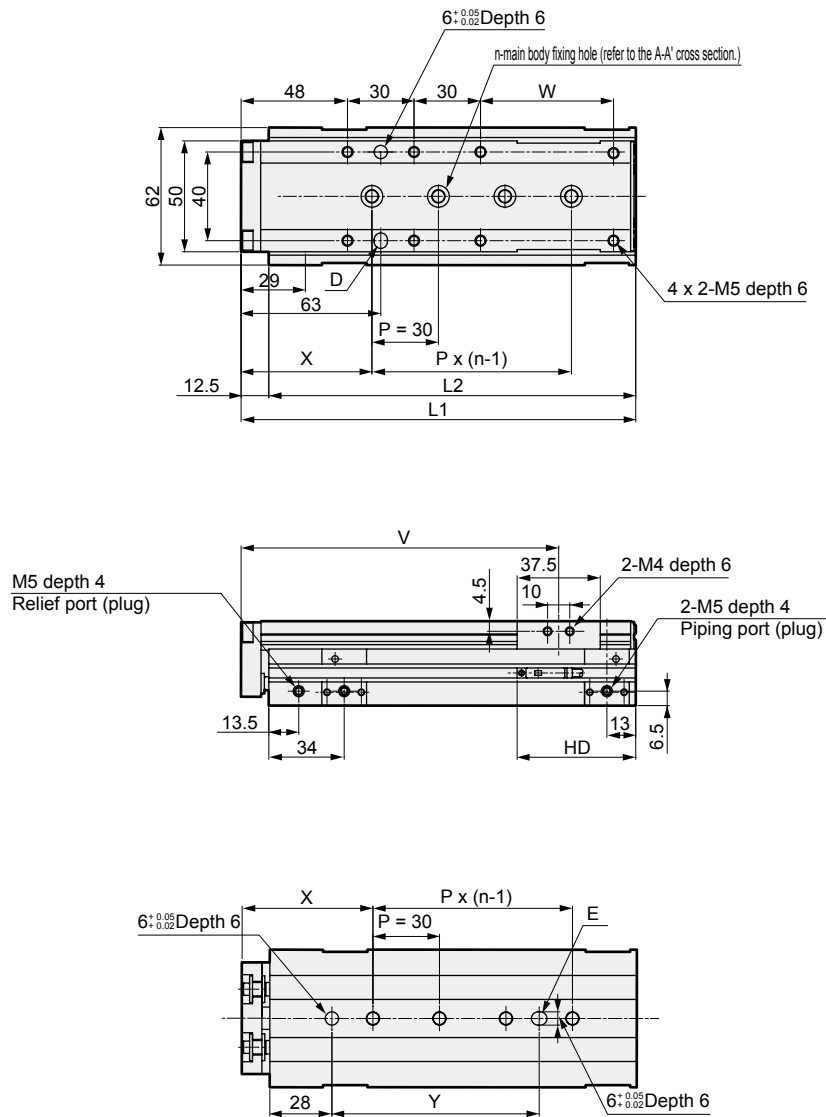
Note 2: Read the precautions on (1. Common; piping) on intro 4 when using rear piping.

Dimensions (bore size: $\varnothing 16$)

● LCR-16-P7*

Stroke length: 75, 100, 125

(The main body fixing holes in this drawing is for 75 mm stroke.)



Dimensions table for each stroke length

Stroke length	75	100	125
L1	178	203	228
L2	165.5	190.5	215.5
n	4	5	
V	143.3	168.3	193.3
W	60	85	110
X	59	57	69
Y	93.5	121.5	133.5
T0/5*	RD	37	
T2/3*	HD	53.5	
T2/3W*	RD	39.5	
	HD	51	

Note 1: When using the dowel hole, a pin with the dimension for press fit must not be used.
Recommended tolerance for the pin is JIS tolerance m6 or less.

Note 2: Read the precautions on [1. Common piping](#) on intro 4 when using rear piping.

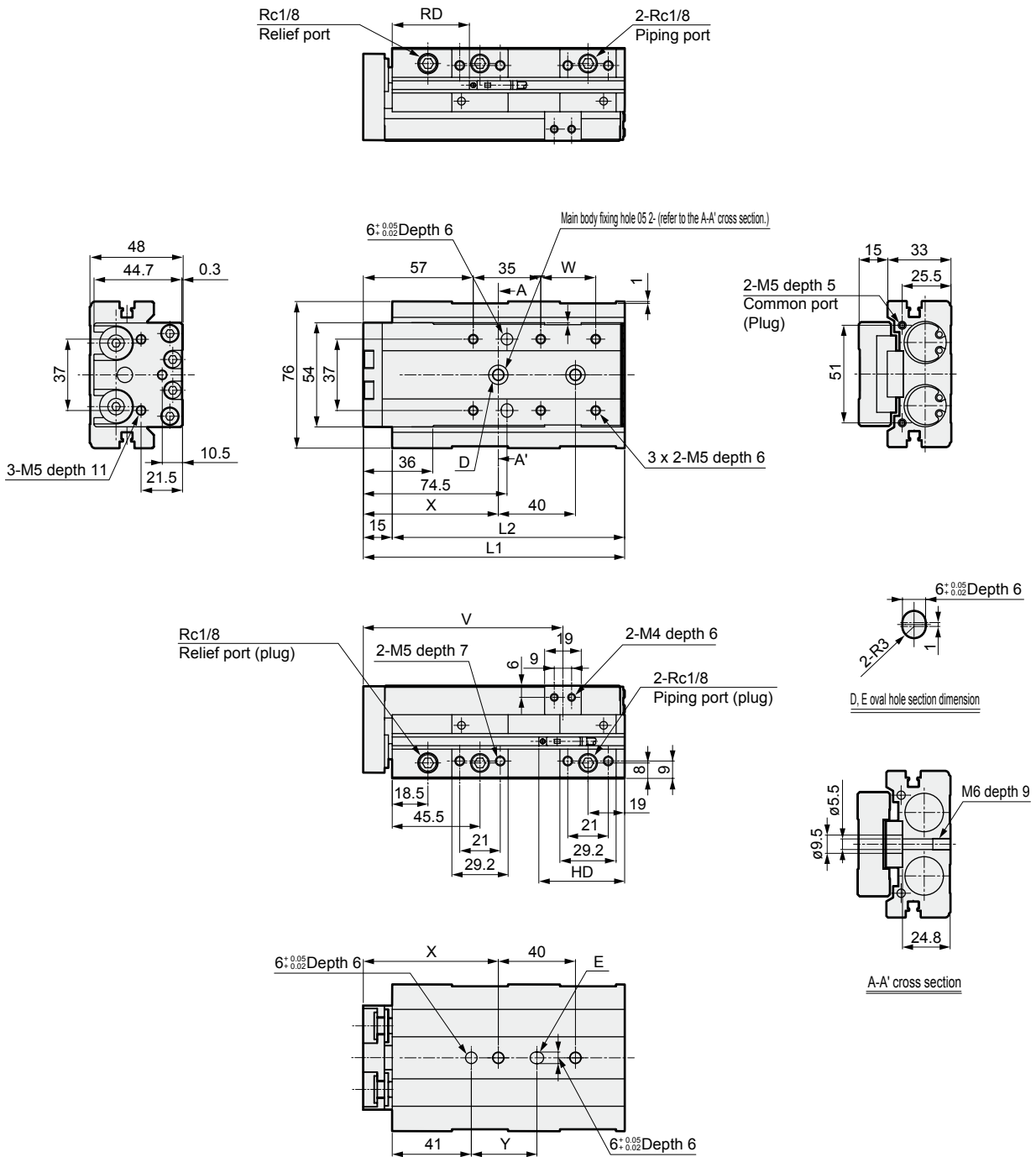
LCR-P7* Series

Dimensions (bore size: $\varnothing 20$)

● LCR-20-P7*

Stroke length: 10, 20, 30, 40, 50

(The main body fixing holes in this drawing is for 30 mm stroke.)



Dimensions table for each stroke length

Stroke length		10	20	30	40	50
L1			135.5	145.5	155.5	
L2			120.5	130.5	140.5	
V			103.5	113.5	123.5	
W			28.5	38.5	48.5	
X			70	76	74	
Y			34	40	38	
T0/5*	RD	45.5				
T2/3*	HD	65	55	45		
T2/3W*	RD	47				
	HD	63	53	43		

Note 1: When using the dowel hole, a pin with the dimension for press fit must not be used.
Recommended tolerance for the pin is JIS tolerance m6 or less.

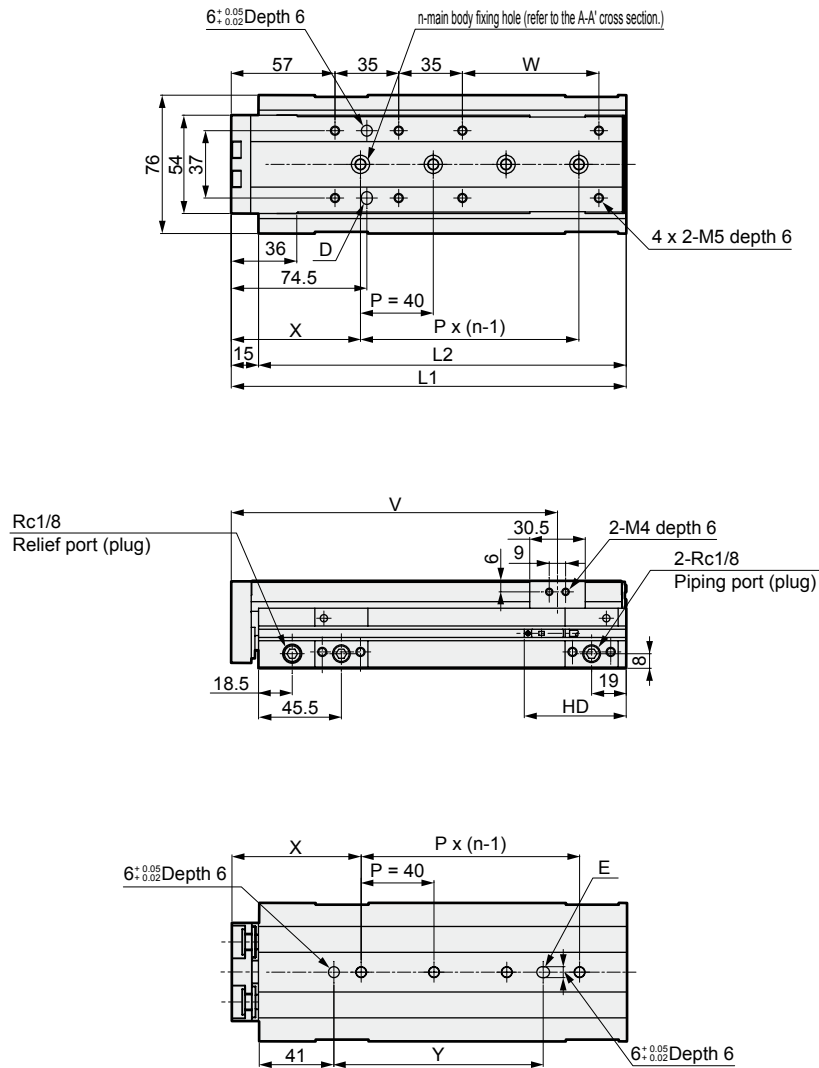
Note 2: Read the precautions on (1. Common; piping) on intro 4 when using rear piping.

Dimensions (bore size: $\varnothing 20$)

● LCR-20-P7*

Stroke length: 75, 100, 125, 150

(The main body fixing holes in this drawing is for 100 mm stroke.)



Dimensions table for each stroke length

Stroke length	75	100	125	150
L1	192	217	242	267
L2	177	202	227	252
n	3	4	5	
V	154.3	179.3	204.3	229.3
W	50	75	100	125
X	71		78	76
Y	75	115	122	160
T0/5*	RD	45.5		
T2/3*	HD	57.5		
T2/3W*	RD	47		
	HD	55.5		

Note 1: When using the dowel hole, a pin with the dimension for press fit must not be used.
Recommended tolerance for the pin is JIS tolerance m6 or less.

Note 2: Read the precautions on **1. Common ; piping** on intro 4 when using rear piping.

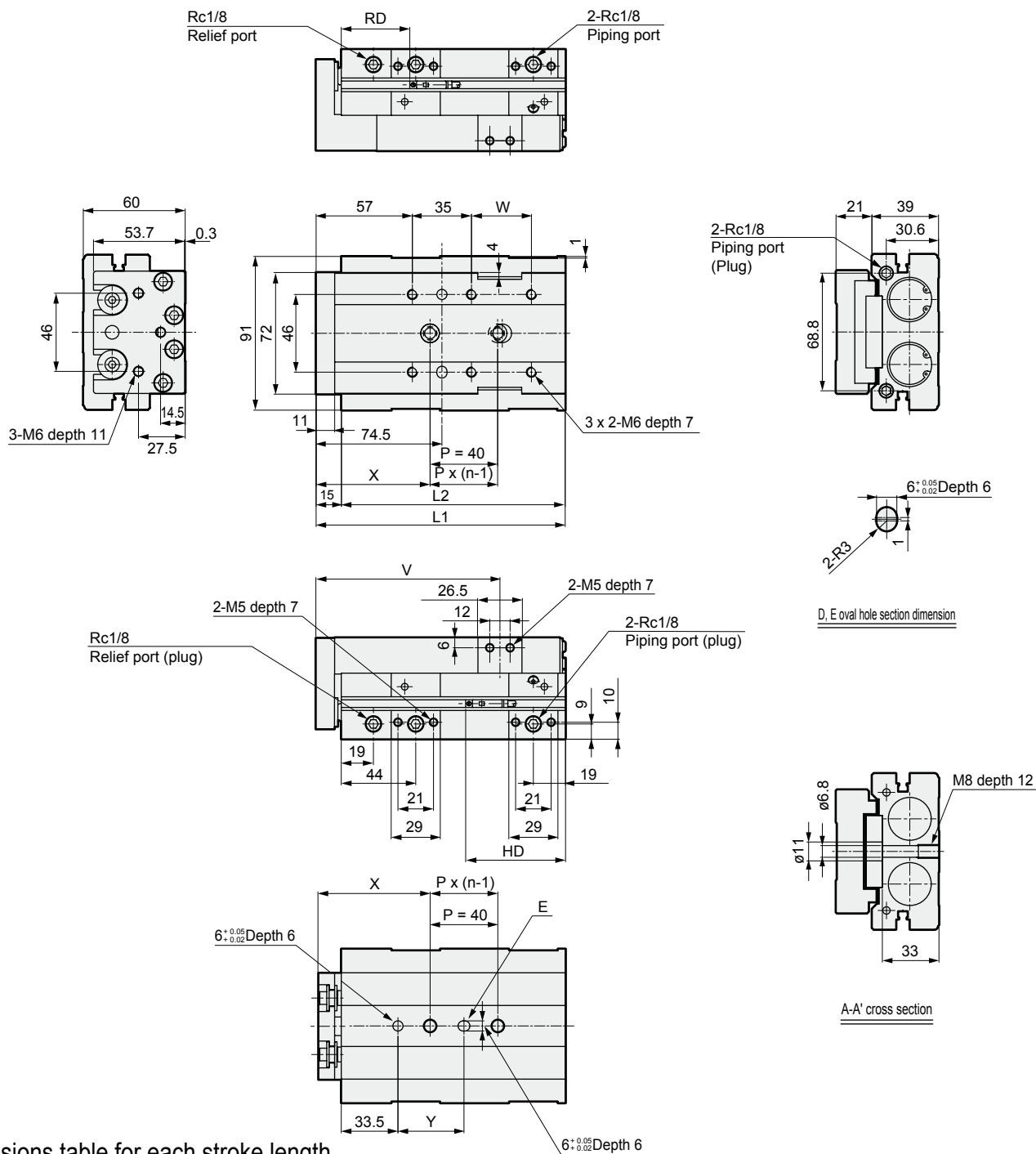
LCR-P7* Series

Dimensions (bore size: $\varnothing 25$)

● LCR-25-P7*

Stroke length: 10, 20, 30, 40, 50

(The main body fixing holes in this drawing is for 30 mm stroke.)



Dimensions table for each stroke length

Stroke length	10	20	30	40	50
L1		147.5	157.5	167.5	
L2		132.5	142.5	152.5	
n		2	3	2	
V		108.8	118.8	128.8	
W		35.5	45.5	55.5	
X		67.5	70.5	85.5	
Y		39	42	57	
T0/5*	RD	44			
T2/3*	HD	78.5	68.5	58.5	
T2/3W*	RD	46			
	HD	76.5	66.5	56.5	

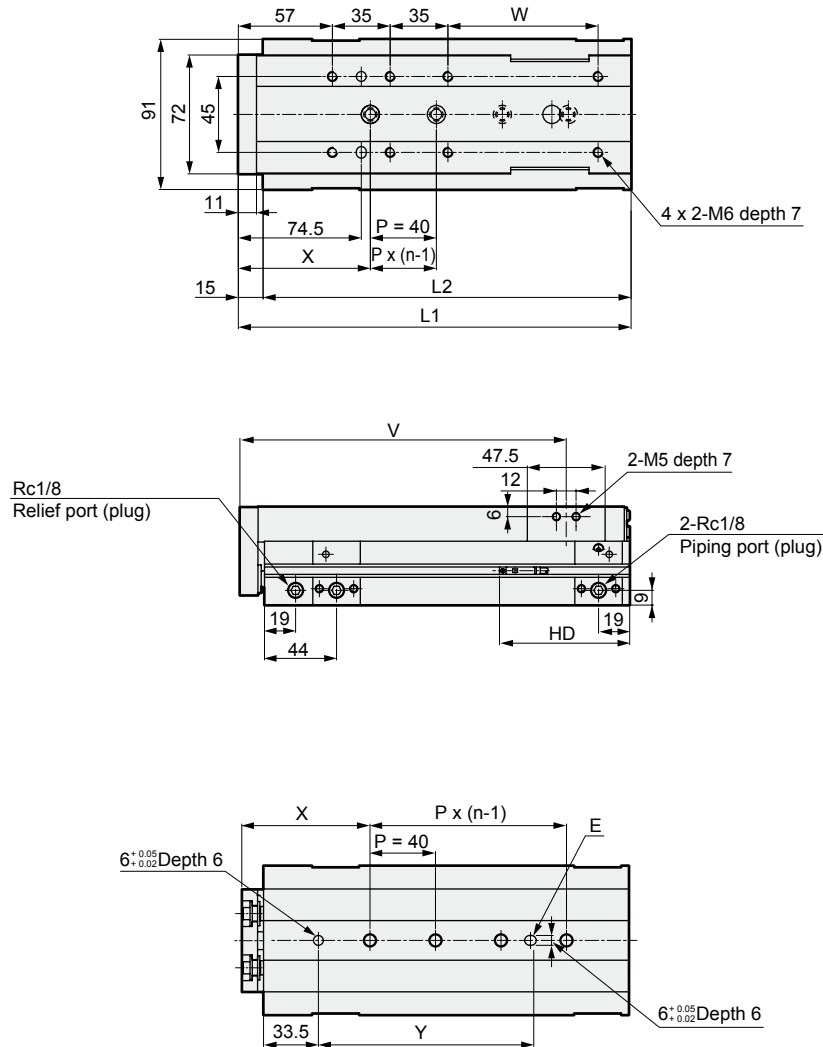
- Note 1: When using the dowel hole, a pin with the dimension for press fit must not be used. Recommended tolerance for the pin is JIS tolerance m6 or less.
- Note 2: Read the precautions on [1. Common ; piping](#) on intro 4 when using rear piping.

Dimensions (bore size: $\varnothing 25$)

● LCR-25-P7*

Stroke length: 75, 100, 125, 150

(The main body fixing holes in this drawing is for 100 mm stroke.)



Dimensions table for each stroke length

Stroke length	75	100	125	150
L1	213	238	263	288
L2	198	223	248	273
n	3	4	5	
V	163.8	188.8	213.8	238.8
W	66	91	116	141
X	85	80	70	85
Y	96.5	131.5	161.5	176.5
T0/5*	RD	44		
T2/3*	HD	79		
T2/3W*	RD	46		
	HD	77		

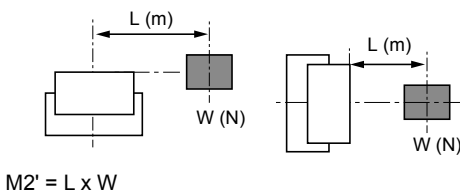
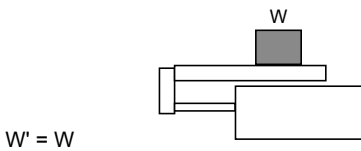
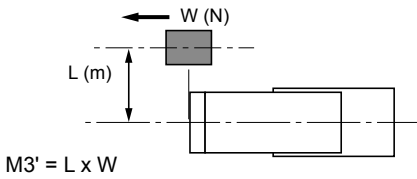
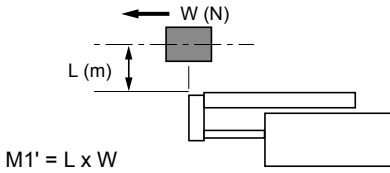
Note 1: When using the dowel hole, a pin with the dimension for press fit must not be used.

Recommended tolerance for the pin is JIS tolerance m6 or less.

Note 2: Read the precautions on **1. Common ; piping** on intro 4 when using rear piping.

STEP-1

- ① Obtain the load and impact moment generated in each direction at the stroke end.



Retrieve the rough estimate of G coefficient from [table 1]

Travel distance	Travel time	(m/s)
-----------------	-------------	-------

[Table 1] VA (Avg. speed) = $\frac{\text{Travel distance}}{\text{Travel time}}$ (m/s)

Va average speed (m/s)	Vm Speed at stroke end (m/s)	G coefficient
To 0.07	To 0.1	5
To 0.2	To 0.3	14
To 0.27	To 0.4	19
To 0.35	To 0.5	24

G coefficient =

$M1' \times G = \text{[] (N}\cdot\text{m)}$

$M2' = \text{[] (N}\cdot\text{m)}$

$M3' \times G = \text{[] (N}\cdot\text{m)}$

$W' = \text{[] (N)}$

$E' = \frac{1}{2} \times (m + m\alpha) \times Vm^2$

$= \text{[] (J)}$

$(m \doteq \frac{W}{9.8})$

- ② Temporarily select a bore size that satisfies the following conditional expression:

$$M'T = \frac{M1' \times G}{M1'_{\max}} + \frac{M2'}{M2'_{\max}} + \frac{M3' \times G}{M3'_{\max}} + \frac{W'}{W'_{\max}} < 1$$

$E' < E \text{ max.}$

$M'T$ Composition of momentum : (must be less than 1)

G : G coefficient

W'_{\max} : Max. allowable value of W' (from table 2)

$M1'_{\max}$: Max. allowable value of $M1'$ (from table 2)

$M2'_{\max}$: Max. allowable value of $M2'$ (from table 2)

$M3'_{\max}$: Max. allowable value of $M3'$ (from table 2)

E max. : Max. allowable value of E_0 (from table 3)

$m\alpha$: Weight of table (from table 4)

[Table 2] Allowable static load

Bore size	Stroke length (mm)	Vertical load W'_{\max} (N)	Bending moment $M1'_{\max}$ (N·m)	Radial moment $M2'_{\max}$ (N·m)	Twist moment $M3'_{\max}$ (N·m)
ø6	10 to 30	140	1.7	3.5	1.7
	40 to 50	186	10.7	5.6	10.7
ø8	10 to 30	140	1.7	3.5	1.7
	40 to 75	186	10.7	5.6	10.7
ø12	10 to 50	220.8	5.7	9.8	5.7
	75 to 100		22.2		22.2
ø16	10 to 50	380.8	17.8	19.2	17.8
	75 to 125		37.3		37.3
ø20	10 to 50	548.8	31.1	37.6	31.1
	75 to 150		56.2		56.2
ø25	10 to 50	961.5	65.1	116.3	65.1
	75 to 150		127.5		127.5

Note: When setting a load on the end plate, the allowable value must be calculated with the short stroke (ø6, ø8, ... 30 or less, ø12 or more ... 50 or less) even when the long stroke is selected (ø6, ø8, ... 40 or more, ø12 or more ... 75 or more).

[Table 3] Allowable energy absorption of LCR (E_0)

Bore size	Standard	With stopper for adjustable stroke	With shock absorber type stopper
	(J)	(J)	(J)
ø6	0.025	0.0032	0.6
ø8	0.058	0.0032	2.1
ø12	0.112	0.014	2.1
ø16	0.176	0.043	5.4
ø20	0.314	0.055	9.7
ø25	0.314	0.14	9.7

[Table 4] Table weight

(Unit: kg)

Bore size	Stroke length (mm)										Additional P72, P73	Additional B/BL
	10	20	30	40	50	75	100	125	150			
ø6	0.035	0.035	0.04	0.05	0.055	-	-	-	-	0.005	0.030	
ø8	0.055	0.055	0.06	0.075	0.08	0.095	-	-	-	0.015	0.030	
ø12	0.13	0.13	0.13	0.14	0.155	0.195	0.225	-	-	0.025	0.060	
ø16	0.185	0.185	0.185	0.2	0.215	0.285	0.325	0.365	-	0.035	0.070	
ø20	0.29	0.29	0.29	0.315	0.335	0.415	0.47	0.525	0.585	0.045	0.140	
ø25	0.505	0.505	0.505	0.54	0.58	0.745	0.835	0.925	1.015	0.075	0.310	

STEP-2

Then increase accuracy of load factor, effective thrust, speed at stroke end and composite moment.

● Find load factor.

$$\alpha = \frac{F_0}{F} \times 100 (\%)$$

α : Load factor

F_0 : Force required to move a work piece (N)

F : Cylinder theoretical thrust (N)
[table 5]

[Table 5] Theoretical thrust table

(Unit: N)

Bore size (mm)	Operating direction	Working pressure MPa						
		0.15	0.2	0.3	0.4	0.5	0.6	0.7
ø6	PUSH	8	11	17	23	28	34	40
	PULL	6	8	13	17	21	25	30
ø8	PUSH	15	20	30	40	50	60	70
	PULL	11	15	23	30	38	45	53
ø12	PUSH	34	45	68	90	113	136	158
	PULL	25	34	51	68	85	102	119
ø16	PUSH	60	80	121	161	201	241	281
	PULL	52	69	104	138	173	207	242
ø20	PUSH	94	126	188	251	314	377	440
	PULL	79	106	158	211	264	317	369
ø25	PUSH	147	196	295	393	491	589	687
	PULL	124	165	247	330	412	495	577

At horizontal operation	At vertical operation
$F_0 = Fw$	$F_0 = W + Fw$
FW: $W \times 0.2$ note (N)	
W: load (N)	

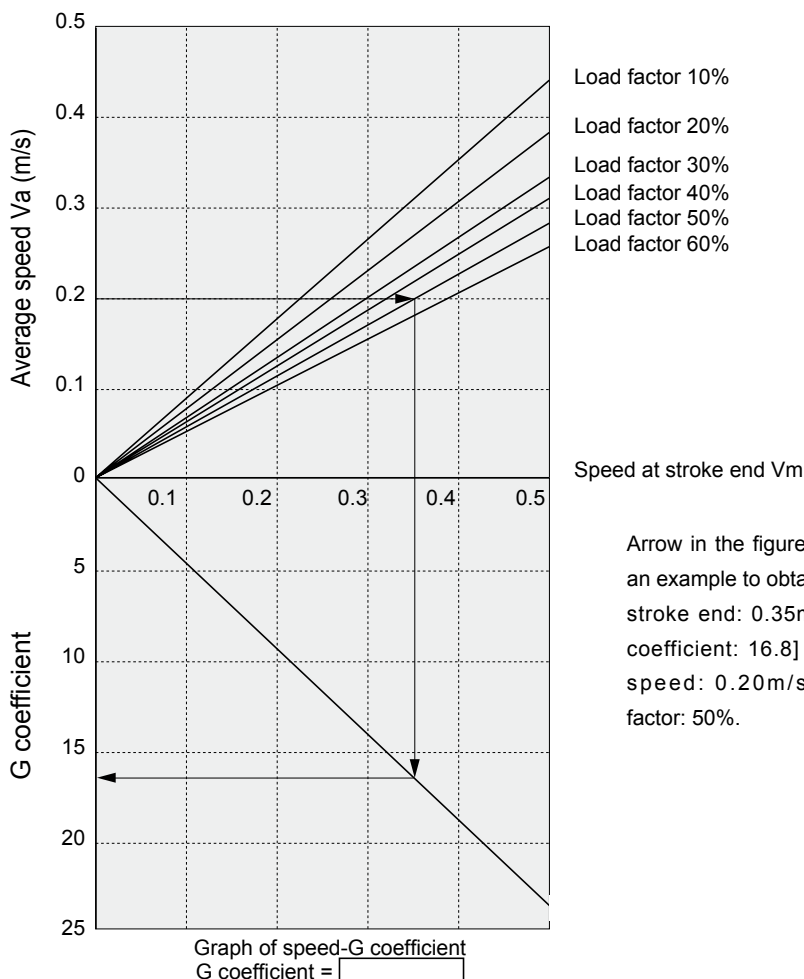
Note: Coefficient of friction

[Table 6] Estimated load factor

Working pressure MPa	Load factor (%)
0.2 to 0.3	$\alpha \leq 40$
0.3 to 0.6	$\alpha \leq 50$
0.6 to 0.7	$\alpha \leq 60$

STEP-3

Obtain the speed at stroke end (V_m) and G coefficient with average speed) V_a and load factor found at STEP-2



STEP-4

Confirm the composite moment (MT) with G coefficient and speed at stroke end (Vm) found at STEP-3.

$$M1' \times G = \text{[] (N}\cdot\text{m)}$$

$$M2' = \text{[] (N}\cdot\text{m)}$$

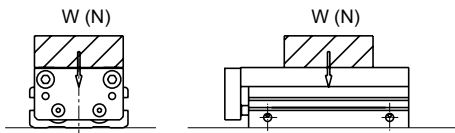
$$M3' \times G = \text{[] (N}\cdot\text{m)}$$

$$W' = \text{[] (N)}$$

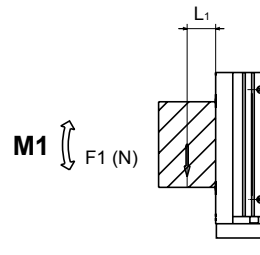
$$M'T = \frac{M1' \times G}{M1'_{\max}} + \frac{M2'}{M2'_{\max}} + \frac{M3' \times G}{M3'_{\max}} + \frac{W'}{W'_{\max}} = \text{[]}$$

Confirm composite moment MT during travel. (This value is different from the value found at STEP-1)

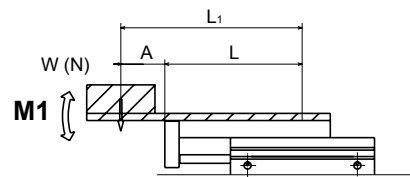
● Vertical load: W (N)



● Bending moment: M1 (N·m)



$$M1 = F1 \times L1$$

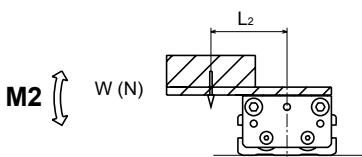


$$M1 = W \times L1$$

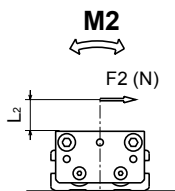
$$L1 = A + L$$

L is the value in the table below

● Radial moment: M2 (N·m)

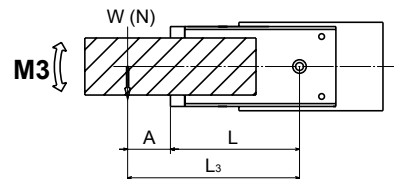


$$M2 = W \times L2$$



$$M2 = F2 \times L2$$

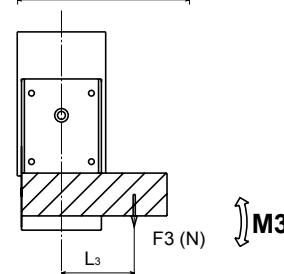
● Twist moment: M3 (N·m)



$$M3 = W \times L3$$

$$L3 = A + L$$

L is the value in the table below



$$M3 = F3 \times L3$$

L value

Unit (m)

Bore size	Stroke length									P72·P73	B/BL
	10	20	30	40	50	75	100	125	150	Additional	Additional
ø6	0.042	0.042	0.052	0.067	0.077	-	-	-	-	0.012	0.0165
ø8	0.041	0.041	0.051	0.065	0.075	0.100	-	-	-	0.020	0.0145
ø12	0.058	0.058	0.058	0.068	0.078	0.108	0.133	-	-	0.020	0.018
ø16	0.062	0.062	0.062	0.072	0.082	0.115	0.140	0.165	-	0.020	0.019
ø20	0.070	0.070	0.070	0.080	0.090	0.115	0.140	0.165	0.190	0.025	0.020
ø25	0.074	0.074	0.074	0.084	0.094	0.129	0.154	0.179	0.204	0.025	0.023

$$M1=M1 = \boxed{} \text{ (N}\cdot\text{m)}$$

$$M2=M2 = \boxed{} \text{ (N}\cdot\text{m)}$$

$$M3=M3 = \boxed{} \text{ (N}\cdot\text{m)}$$

$$W=W = \boxed{} \text{ (N)}$$

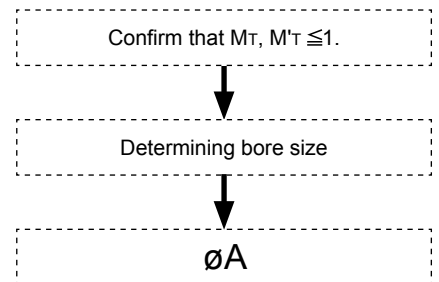
$$M_T = \frac{M1}{M1_{\max}} + \frac{M2}{M2_{\max}} + \frac{M3}{M3_{\max}} + \frac{W}{W_{\max}} = \boxed{}$$

M_T : Composite of moment
 W_{\max} : Max. allowable value of W (table 7)
 $M1_{\max}$: Max. allowable value of M1 (table 7)
 $M2_{\max}$: Max. allowable value of M2 (table 7)
 $M3_{\max}$: Max. allowable value of M3 (table 7)
 E_{\max} : Max. allowable value of E_0 (table 3)

[Table 7] allowable traveling load value

Bore size	Stroke length (mm)	Vertical load W_{\max} (N)	Bending moment $M1_{\max}$ (N·m)	Radial moment $M2_{\max}$ (N·m)	Twist moment $M3_{\max}$ (N·m)
ø6	10 to 30	14	0.17	0.35	0.17
	40 to 50	15.5	0.89	0.47	0.89
ø8	10 to 30	14	0.17	0.35	0.17
	40 to 75	15.5	0.89	0.47	0.89
ø12	10 to 50	27.6	0.71	1.2	0.71
	75 to 100		2.2		2.2
ø16	10 to 50	47.6	1.9	2.4	1.9
	75 to 125		4.6		4.6
ø20	10 to 50	68.6	3.4	4.7	3.4
	75 to 150		7.0		7.0
ø25	10 to 50	128.2	7.6	15.5	7.6
	75 to 150		17.0		17.0

Note: When setting a load on the end plate, the allowable value must be calculated with the short stroke (ø6, ø8, ... 30 or less, ø12 or more ... 50 or less) even when the long stroke is selected (ø6, ø8, ... 40 or more, ø12 or more ... 75 or more).

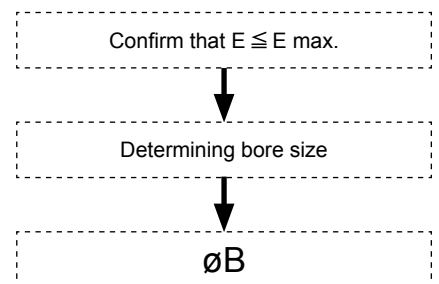


STEP-5

Confirming allowable energy absorption

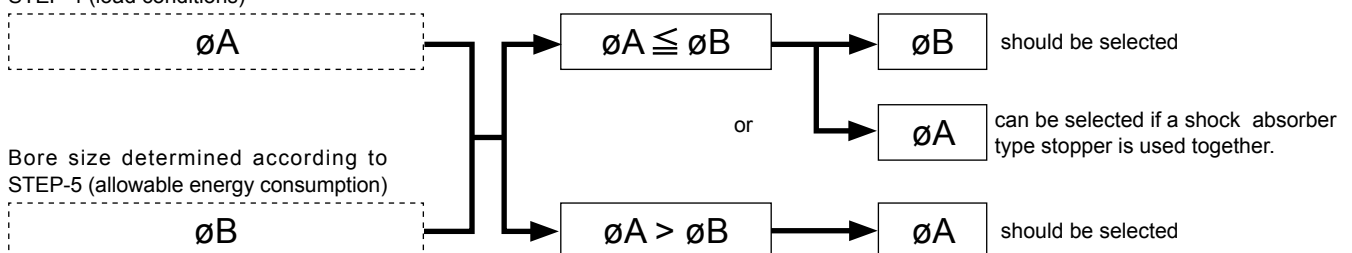
$$E = \frac{1}{2} \times (m + m_\alpha) \times V_m^2$$

E : Kinetic energy at workpiece end (J)
 m : Load weight (kg) (is $m \doteq \frac{W(N)}{9.8}$)
 m_α : Weight of table (from table 4)
 V_m : Speed at stroke end (m/s)
 E_{\max} : Max. allowable of E_0 (table 3)



STEP-6

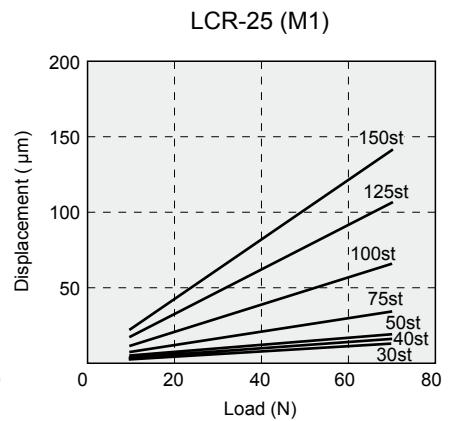
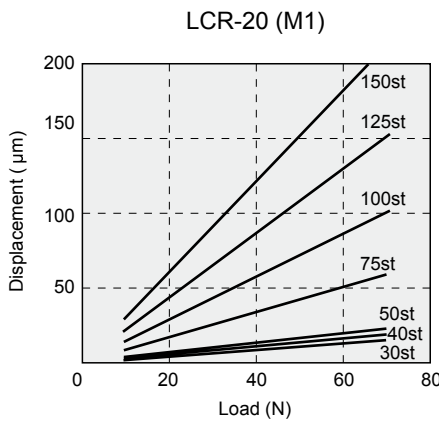
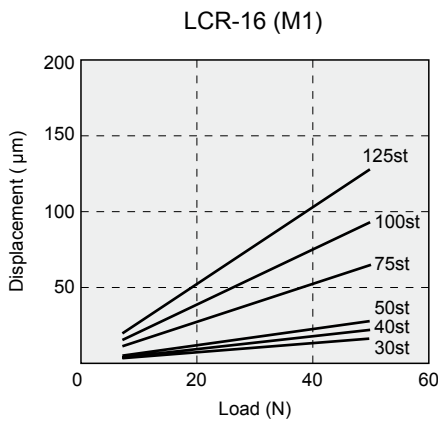
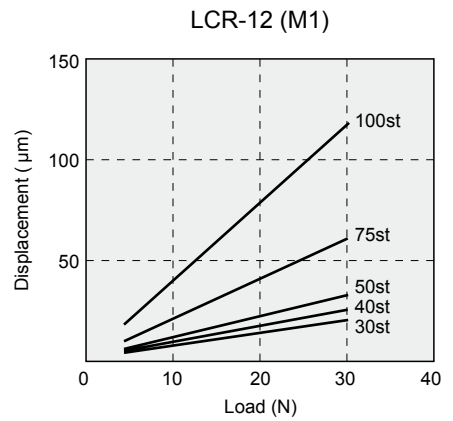
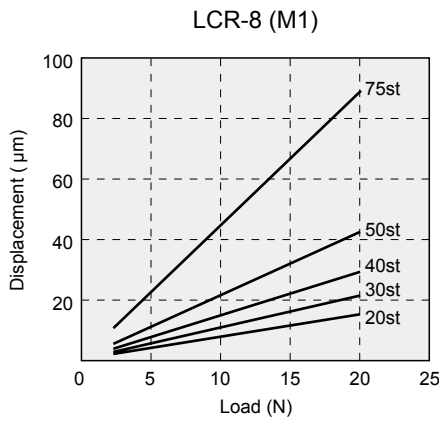
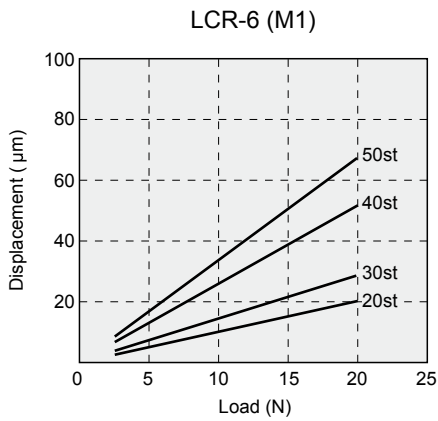
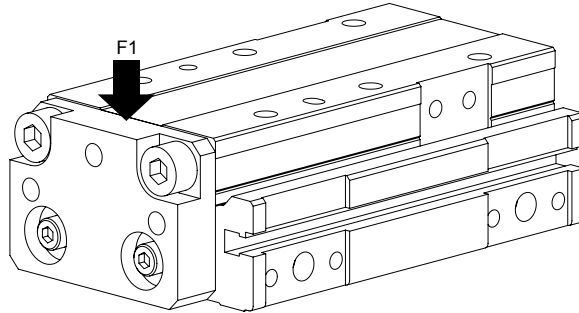
Bore size determined according to STEP-4 (load conditions)



Displacement at point A

[Amount of table displacement caused by M1 moment]

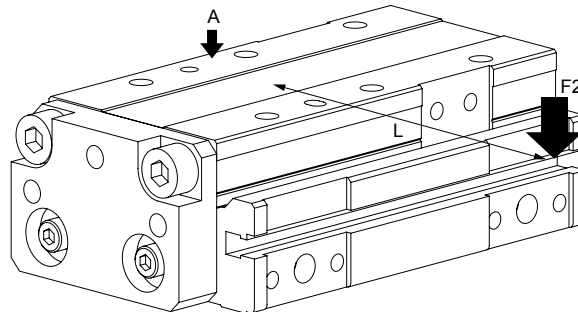
Displacement of table end when load (F1) is applied to table end.



Displacement at point A

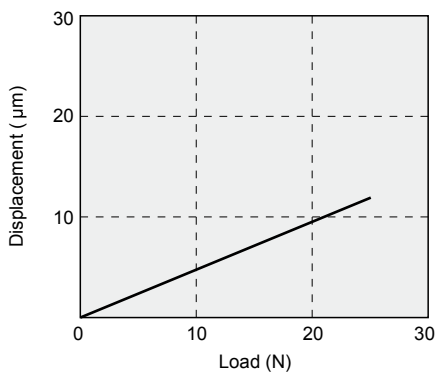
[Table displacement caused by M2 moment]

Displacement of table end (point A) when load (F2) is applied to a point Lmm away from the center of the cylinder.

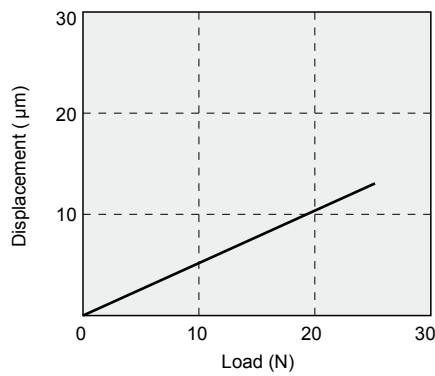


L value
 ø 6: L = 70, ø 8: L = 70
 ø 12: L = 90, ø 16: L = 100
 ø 20: L = 100, ø 25: L = 200

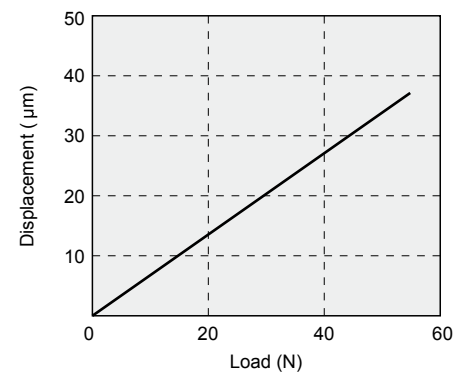
LCR-6 (M2)



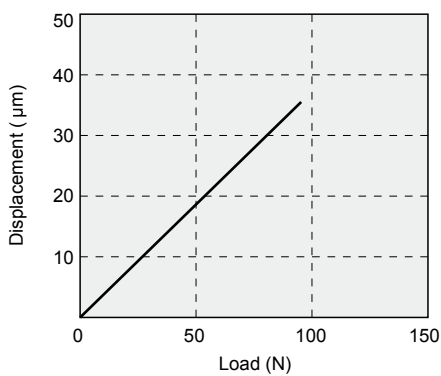
LCR-8 (M2)



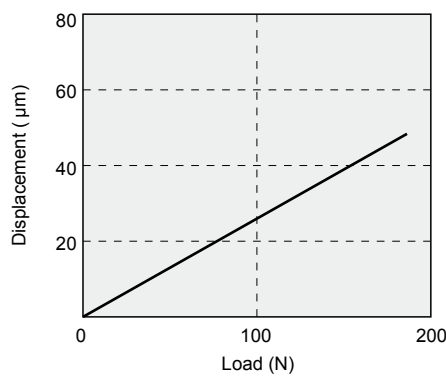
LCR-12 (M2)



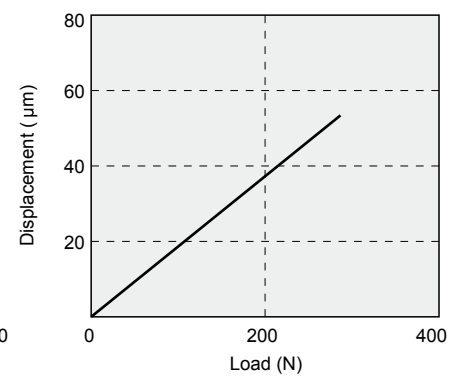
LCR-16 (M2)



LCR-20 (M2)



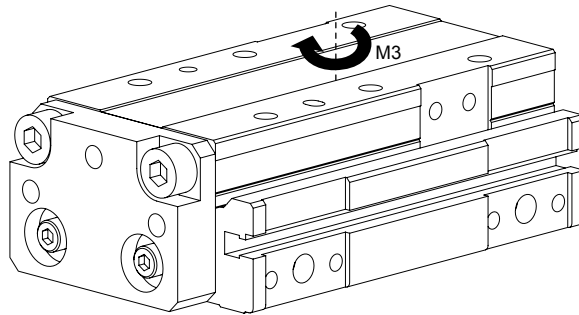
LCR-25 (M2)



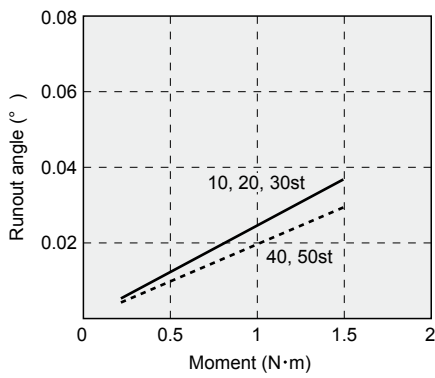
Displacement at point A

[Displacement angle caused by M3 moment]

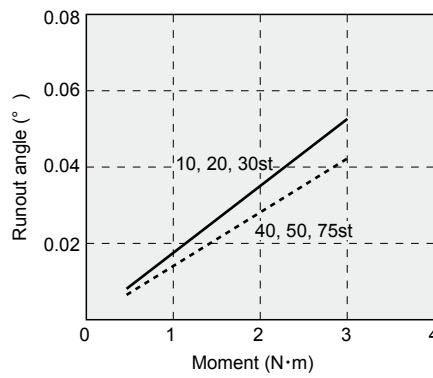
Displacement angle of the table when angular moment (M3) is applied to the cylinder.



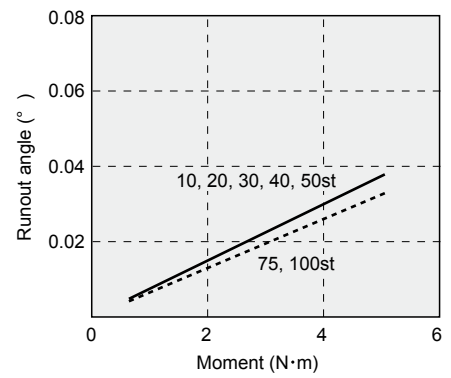
LCR-6 (M3)



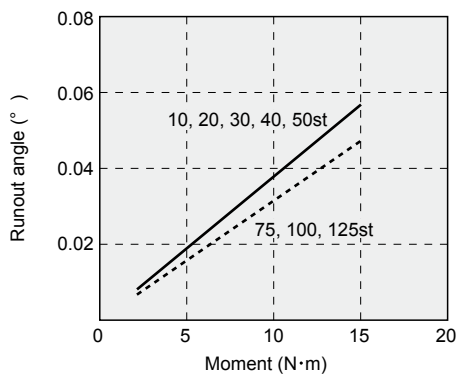
LCR-8 (M3)



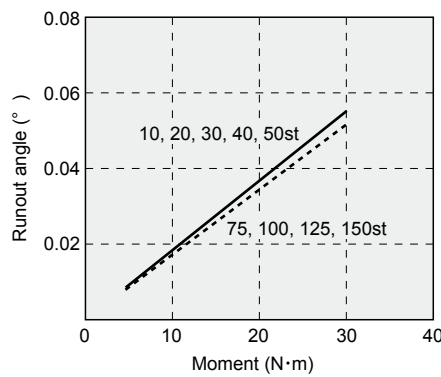
LCR-12 (M3)



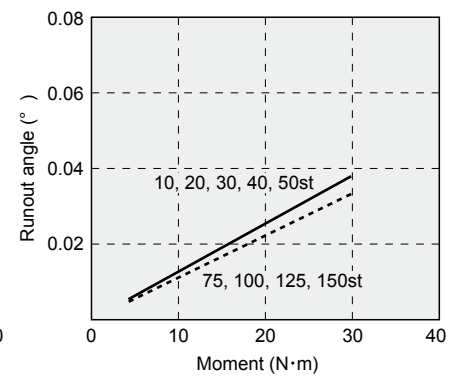
LCR-16 (M3)



LCR-20 (M3)

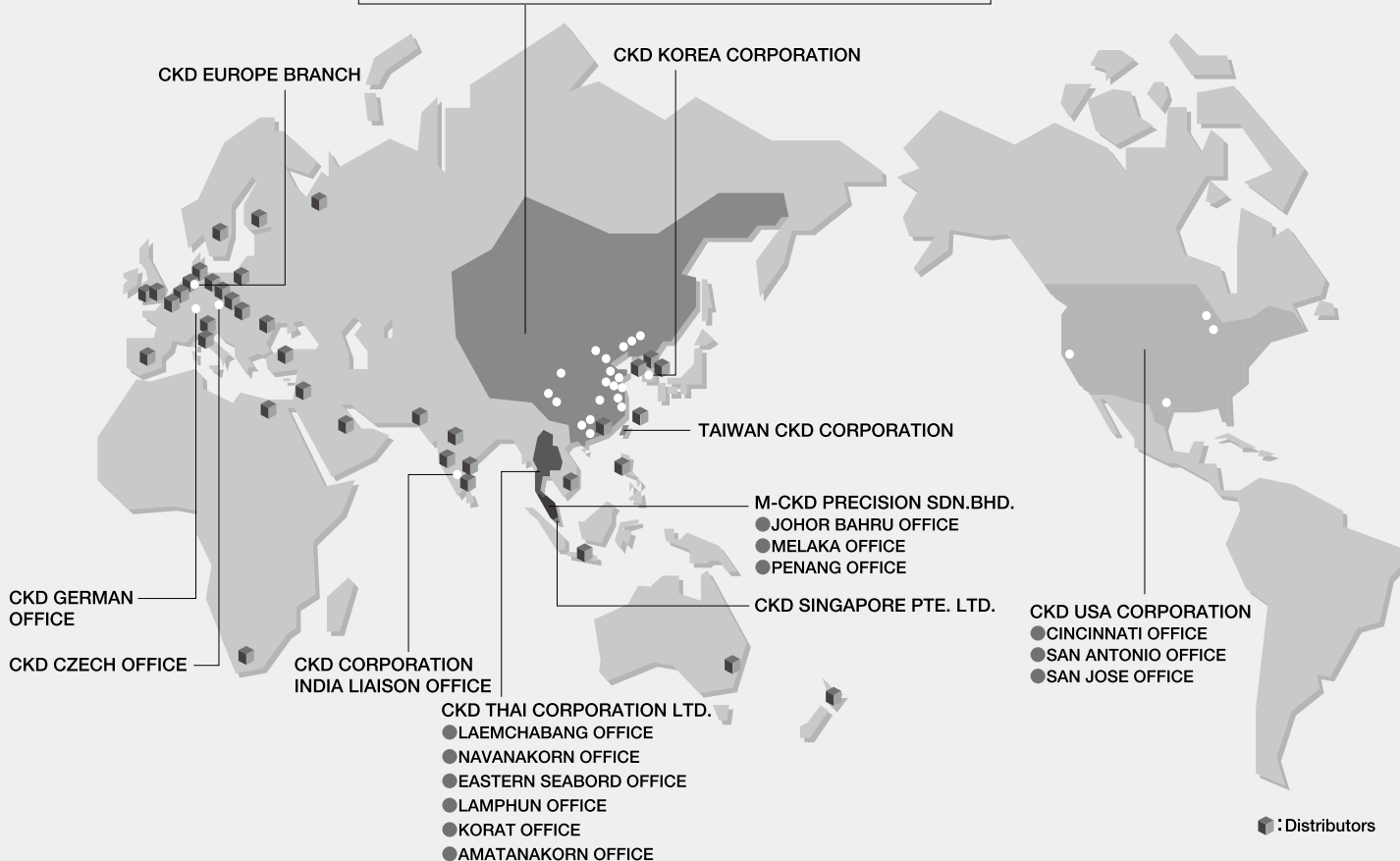


LCR-25 (M3)



MEMO

- CKD (SHANGHAI) CORPORATION
- WUXI OFFICE
 - BEIJING OFFICE
 - CHONGQING OFFICE
 - NANJING OFFICE
 - TIANJIN OFFICE
 - CHENGDU OFFICE
 - HANGZHOU OFFICE
 - CHANGCHUN OFFICE
 - GUANGZHOU OFFICE
 - WUHAN OFFICE
 - DALIAN OFFICE
 - SHENZHEN OFFICE
 - QINGDAO OFFICE
 - SHENYANG OFFICE
 - FUZHOU OFFICE
 - SUZHOU OFFICE
 - XIAN OFFICE
 - DONGGUAN OFFICE



CKD Corporation

Website <http://www.ckd.co.jp/>

OVERSEAS DPT. SALES DIV. 2-250 Uji Komaki, Aichi 485-8551, Japan
 PHONE +81-(0)568-74-1338 FAX +81-(0)568-77-3461

U.S.A.

CKD USA CORPORATION

● HEADQUARTERS

4080 Winnetka Avenue, Rolling Meadows, IL 60008 USA
 PHONE +1-847-368-0539 FAX +1-847-788-0575

EUROPE

CKD EUROPE BRANCH

De Fruittuinen 28 Hoofddorp 2132NZ The Netherlands
 PHONE +31-(0)23-5541490 FAX +31-(0)23-5541491

Malaysia

M-CKD PRECISION SDN.BHD.

● HEADQUARTERS

Lot No.6,Jalan Modal 23/2, Seksyen 23, Kawasan, MIEL,
 Fasa 8, 40300 Shah Alam,Selangor Darul Ehsan, Malaysia
 PHONE +60-(0)3-5541-1468 FAX +60-(0)3-5541-1533

Thailand

CKD THAI CORPORATION LTD.

● SALES HEADQUARTERS-BANGKOK OFFICE

Suwan Tower, 14/1 Soi Saladaeng 1, North Sathorn Rd., Bangrak,
 Bangkok 10500 Thailand
 PHONE +66-(0)2-267-6300 FAX +66-(0)2-267-6305

Contents revised

· Partial correction of dimensions

Singapore

CKD SINGAPORE PTE LTD.

705 Sims Drive #03-01/02, Shun Li Industrial Complex,
 387384 Singapore
 PHONE +65-6744-2623 FAX +65-6744-2486

Taiwan

TAIWAN CKD CORPORATION

1F., No.16, Wucyuan 5th Rd., Wugu Township, Taipei Country 248,
 Taiwan (R.O.C)
 PHONE +886-(0)2-2298-2866 FAX +886-(0)2-2298-0322

China

CKD (SHANGHAI) CORPORATION

● SALES HEADQUARTERS / SHANGHAI OFFICE

Room 601, Yuan Zhong Scientific Research Building,
 1905 Hongmei Road, Shanghai, 200233, China
 PHONE +86-(0)21-61911888 FAX +86-(0)21-60905356

Korea

CKD KOREA CORPORATION

3rd FL, Sam Young B/D, 371-20
 Sinsu-Dong, Mapo-Gu, Seoul, 121-110, Korea
 PHONE +82-(0)2-783-5201~5203 FAX +82-(0)2-783-5204

The goods and their replicas, or the technology and software in this catalog are subject to complementary export regulations by Foreign Exchange and Foreign Trade Law of Japan.
 If the goods and their replicas, or the technology and software in this catalog are to be exported, laws require the exporter to make sure they will never be used for the development or the manufacture of weapons for mass destruction.