

# ACRYL TUBE TYPE FLOWMETERS *ADF* SERIES



20A , 25A



15A

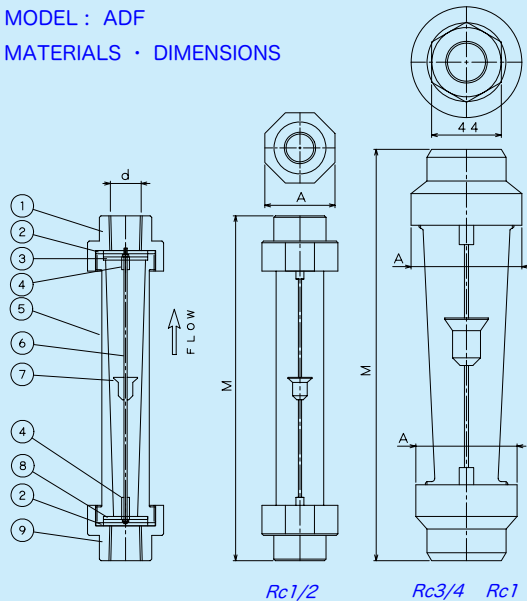
ADF series is Area flowmeters which used Acryl taper tube. It is the flowmeter of a low price in compact suitable for flow measurement of water of normal temperature. Two kinds of connection methods, taper screw and TS-socket, can be chosen, and connection with piping can both be performed simply.

### ◆ SPECIFICATION

Model	ADF			ADT-TS		
Connection sizes	Rc1/2	Rc3/4	Rc1	15A	20A	25A
Application piping	VP-tube · Metal-pipe			VP-tube		
Fluid	H2O WATER (Other liquids & gases is special order)					
Accuracy	Within ± 5 % F.S.					
Max. working pressure	0.3MPaG (Test press. 0.45MPaG)					
Max. working temperature	50 °C (40°C Continuation use)					
Flow Direction	BOTTOM → TOP					

### ◆ MODEL : ADF

### ◆ MATERIALS · DIMENSIONS



### ◆ MATERIALS ADF

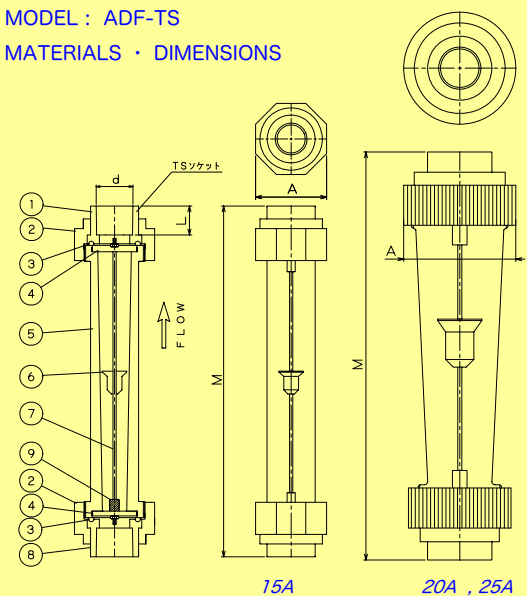
NO.	PARTS NAME	NO.1	NO.2	NO.3
①	OUTLET	ABS/PVC	SUS304	PVC
②	PACKING	EPDM		
③	OUT-STOPPER	SUS316		PVC
④	CUSHION	EPDM		
⑤	TAPER TUBE	ACRYL		
⑥	FLOAT GUIDE	SUS304		PFA
⑦	FLOAT	SUS304		PVC
⑧	IN-STOPPER	SUS316		PVC
⑨	INLET	ABS/PVC	SUS304	PVC

### ◆ DIMENSIONS ADF

Meter Size	d	A mm	M mm
Rc 1/2	1/2B	44	215
Rc 3/4	3/4B	Φ64	260
Rc 1	1B	Φ70	260

### ◆ MODEL : ADF-TS

### ◆ MATERIALS · DIMENSIONS



### ◆ MATERIALS ADF-TS

NO.	PARTS NAME	NO.1
①	OUTLET	PVC
②	NUT	(15A) ABS (20A/25A)PVC
③	O-RING	EPDM
④	STOPPER	SUS316
⑤	TAPER TUBE	ACRYL
⑥	FLOAT	SUS304
⑦	FLOAT GUIDE	SUS304
⑧	INLET	PVC
⑨	CUSHION	EPDM

### ◆ DIMENSIONS ADF-TS

Meter Size	d	A mm	L mm	M mm
15A	Φ22.3	44	22	225
20A	Φ26.3	Φ62	25	255
25A	Φ32.3	Φ70	30	265

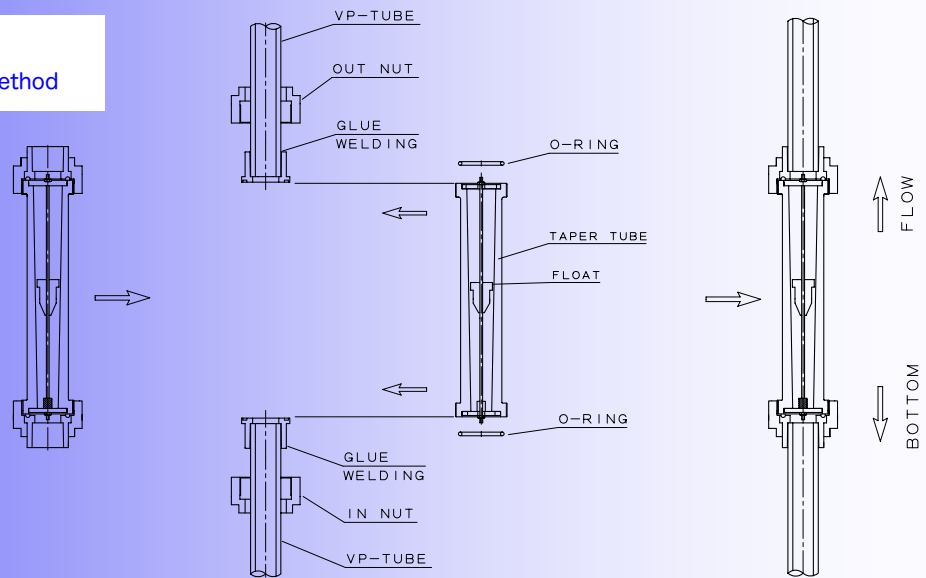
# ACRYL TUBE TYPE FLOWMETERS *ADF* SERIES

◆ SCALE RANGES

SCALE			SCALE UNIT	SIZE		
Min.		Max.		1/2" 15A	3/4" 20A	1" 25A
0.5	~	5	L/min	Standard	Semi- standard	-
1	~	10		Standard	Semi- standard	-
1.5	~	15		Standard	Semi- standard	-
2	~	20		Standard	Semi- standard	-
2.5	~	25		Semi- standard	-	-
3	~	30		-	Standard	Standard
4	~	40		-	Semi- standard	Semi- standard
30	~	300	L/h	Standard	Semi- standard	-
50	~	500		Standard	Semi- standard	-
100	~	1000		-	Semi- standard	Semi- standard
120	~	1200		Standard	Semi- standard	-
150	~	1500		-	Standard	Standard
250	~	2500		-	Standard	Standard
0.15	~	1.5	m <sup>3</sup> /h	-	Semi- standard	Semi- standard
0.2	~	2		-	Semi- standard	Semi- standard
0.25	~	2.5		-	Semi- standard	Semi- standard
0.3	~	3		-	Semi- standard	Semi- standard
0.4	~	4		-	-	Standard
0.6	~	6		-	-	Standard

◆ MODEL : ADF-TS

◆ The construction method



**! WARNING**

The maximum working pressure and temperature of this flowmeter are 0.3 MPaG ( 3kgf/cm<sup>2</sup> G ) and 40 °C.

Be sure to use the flowmeter within these conditions otherwise the acryl tube may be broken.

If this condition is not kept, harm will join a human body.

- The pressure retaining part is made of acryl. Rough handling may cause serious accident.
- Keep in mind that taper tube will be damaged if a solvent is poured or a solvent is made to adhere to taper tube.