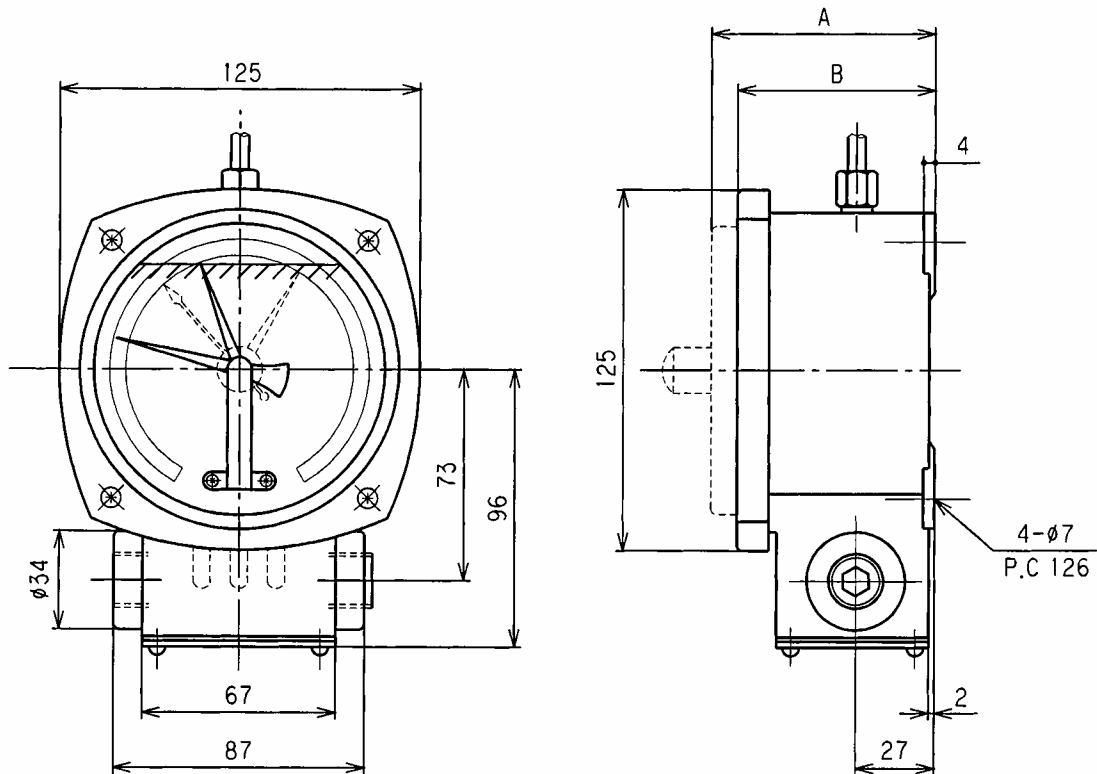


名 称	ダイヤル温度計
型 式	SO4B-3
図 番	0023



Electric contact (Adjusting method)	Maximum Pointer	A	B
1 contact (Inner)	None	-	68
1 contact (Outer)	None	-	68
1 contact (Inner)	Attached	-	68
2 contacts (Inner)	None	-	68
2 contacts (Outer)	None	-	68
2 contacts (Inner)	Attached	77	-