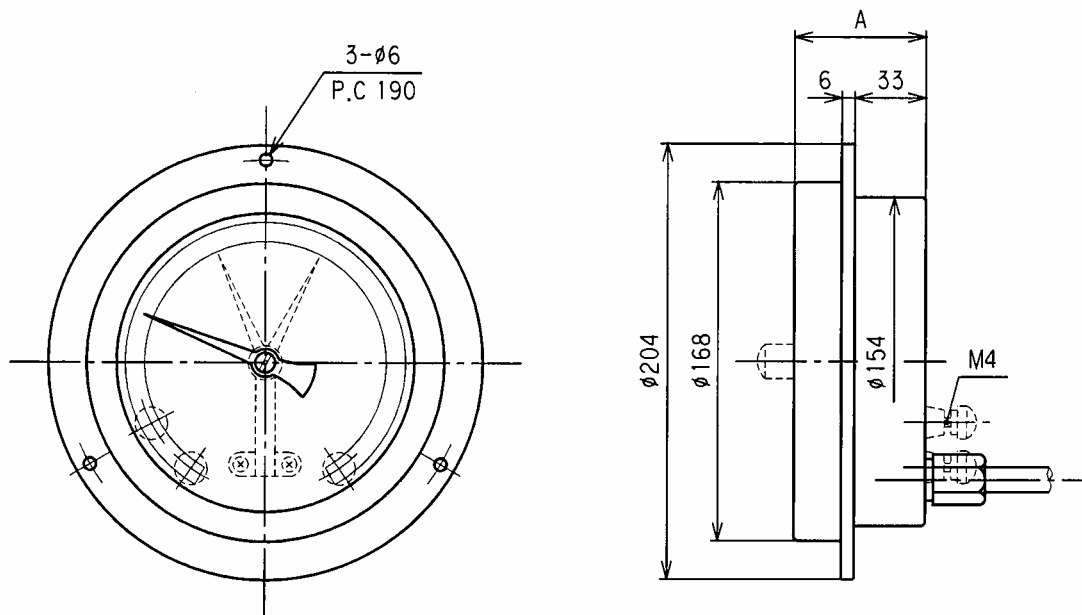


名 称	ダイヤル温度計
型 式	A6
図 番	0003



Capillary tube	Electric contact (Adjusting method)	A
Single	None	61
	1 contact (Inner)	61
	1 contact (Outer)	72
	2 contacts (Inner)	72
	2 contacts (Outer)	72
Double	None	61
	1 contact (Inner)	61
	1 contact (Outer)	72
	2 contacts (Inner)	72
	2 contacts (Outer)	72