

# Terminal box and others

## Terminal box

### Terminal box types and specifications



Item Type	Terminal quantity	Indicator light	Power supply	Thread size	
				A	B
HP terminal box	3P	Without light	AC/DC common power supply	M16	G1/2
			Rating 500 V, 10 A or less	CTC19	G1/2
		With light	AC/DC power supply (neon light)	M16	G1/2
			Rating 100/200 VAC 100/200 VDC, 1 A	CTC19	G1/2
			DC power supply (LED)	M16	G1/2
			Rating 24 VDC, 6.3 mA	CTC19	G1/2

\* Contact CKD for model no.

#### ● Terminal box

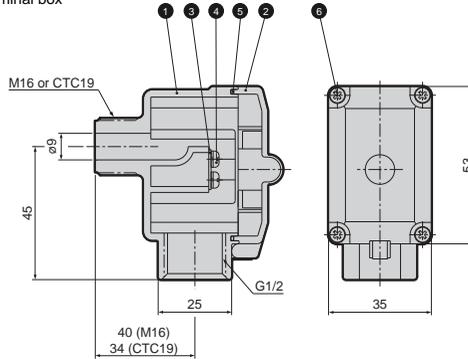
This terminal box is available as an accessory of solenoid valve for easy coil wiring of solenoid valve.

#### Features

- Appropriate terminal box for power supply connection due to the design for wiring to coil of solenoid valve.
- Power supply ON-OFF light is available.
- Marine cable gland can be directly connected.

### Dimensions and internal structure

#### ● HP terminal box



No.	Parts name	Material
1	Body	PA
2	Cover	PA
3	Terminal	C2680
4	Wiring screw	SS
5	Gasket	NBR
6	Fixing screw	SS

## Y shaped strainer

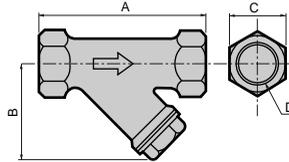


This Y shaped strainer is used to remove foreign matters in the fluid flowing in the pipe. Maintenance of the strainer is very easy.

### Specifications

Item	
Working fluid	Water
Withstanding pressure MPa	2
Working pressure range MPa	0 to 1
Working temperature range °C	0 to 60

### Dimensions



Model no.	A	B	C	D	Weight (kg)
YS-02	64	40	23	Rc1/4	0.2
YS-03	64	40	23	Rc3/8	0.2
YS-04	84	53	29	Rc1/2	0.3
YS-06	96	60	35	Rc3/4	0.4
YS-10	116	65	41	Rc1	0.7
YS-12	142	76	54	Rc1 1/4	1.3
YS-14	160	96	58	Rc1 1/2	1.8
YS-20	180	110	75	Rc2	2.8

### ● Main materials

Body	Bronze casting
Strainer	Stainless steel

### ● Strainer mesh

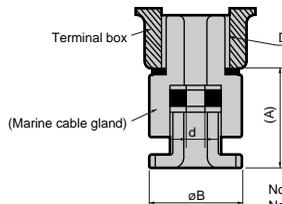
YS-02	120 mesh
YS-03	
YS-04 to YS-20	80 mesh

## Marine cable gland



When water proof wiring port is required for solenoid valve with terminal box, marine cable gland should be used.

### Dimensions



Note 1: Dimensions marked with \* are for reference only.  
 Note 2: Select the model based on dimension D (selection based on terminal box screw size) and dimension d (selection based on wiring cable size).

Model no.	A	*	B	D	d
A-15a	39		28	G1/2	9
A-15b	39		28	G1/2	10
A-15c	39		28	G1/2	11
A-20a	43		34	G3/4	12
A-20b	43		34	G3/4	13
A-20c	43		34	G3/4	15